

# Modbus Port Multiplexer

- + ASCII / RTU Converter
- + Master-to-Master Modbus Exchange

SGW1-IA3-MMP



Industrial Model

The SGW1-IA3-MMP is a multifunctional device designed to facilitate multiplexing, conversion, and data exchange between Modbus Serial devices. It supports the following functions:

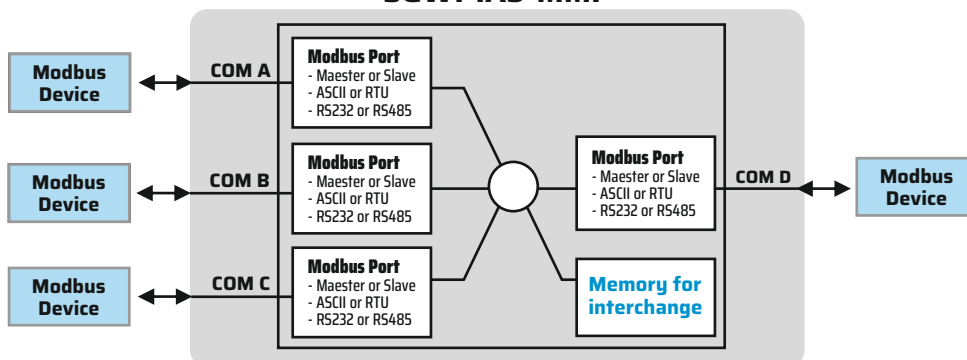
- 1) Modbus Port Multiplexing (Masters or Slaves)
- 2) Conversion of Modbus ASCII to Modbus RTU, with different baud rates on RS232 or RS485 ports
- 3) Register Exchange Between Modbus Masters via a shared memory buffer

## GENERAL FEATURES

- Equipped with 4 RS232 or RS485 Serial Ports with Modbus Protocol
- Supports up to 3 Master Ports and up to 3 Slave Ports
- Transparent Operation - No Register Mapping Required
- Easy Configuration via USB
- DIN Rail Mounting, Flame-Retardant Industrial Enclosure
- Wide Power Supply Range: +10 to +30 VDC

## INTERNAL DIAGRAM

SGW1-IA3-MMP



## 3 Functionalities in a Single Device

- Modbus Port Multiplexer
- Modbus ASCII to Modbus RTU Converter (on RS232 or RS485 ports)
- Modbus Master-to-Master Data Exchange

## Multiplexing Example

2 Master to 1 Slave



For pricing or any further information, please contact Omni Instruments Ltd.



Measurement and data acquisition solutions

### Contact Details:

Tel: +44 1382 443000  
Email: [info@omni.uk.com](mailto:info@omni.uk.com)

Website: [www.omniinstruments.co.uk](http://www.omniinstruments.co.uk)

Mailing Address: Unit 1, 14 Nobel Road,  
Wester Gourdie Industrial Estate,  
Dundee, DD2 4UH.

## TECHNICAL SPECIFICATIONS

• <b>Protocols</b>	Modbus RTU, Modbus ASCII
• <b>Serial Ports</b>	4 RS232/RS485 + 1 USB type B
• <b>Configuration</b>	USB Console
• <b>Upgrade</b>	USB Console
• <b>LED Indicators</b>	Power and Data leds
• <b>Dimensions</b>	100 mm x 22,5 mm x 112 mm (Height x Width x Length).
• <b>Power</b>	+10 to +30 Vdc
• <b>Current</b>	70mA at +12 Vdc/ 40mA at +24 Vdc
• <b>Temperatures</b>	Operation: -15 to 65 °C. Storage: -40 to 75 °C.
• <b>Warranty</b>	1 Year



## ORDERING CODES

PART N°	DETAILS
SGW1-4B0-00-IA3-MMP	4 RS232/RS485 configurable ports
SGW1-13B0-00-IA3-MMP-CF	1 RS232 with RTS Port + 3 RS232/RS485 Ports

Whilst every effort has been made to ensure the accuracy of this specification, we cannot accept responsibility for damage, injury, loss or expense from errors or omissions. In the interest of technical improvement, this specification may be altered without notice.

For pricing or any further information, please contact Omni Instruments Ltd.