

WP- SDC

Woltmann water meter with super dry dial

CE EN 14154

WRAS
APPROVED
PRODUCT



The **VuAqua WP-SDC** is a woltmann mechanical water meter with dry type dial counter suitable for a variety of water distribution and industrial applications available in sizes DN50 (2") to DN500 (20").

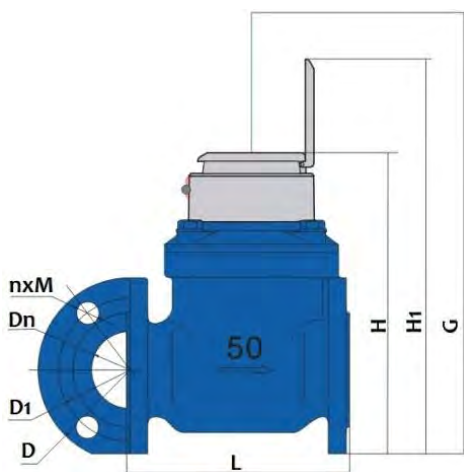
Key Features

- Woltmann helix meter type (Bulk Meter)
- Replaceable 'drop-in' mechanism
- Approved: EN14154:2005+A1,OIML R-49: 2006(E)
- Dry dial (frost resistant)
- Meter body material is epoxy coated cast iron
- Drinking water approved: WRAS
- Can be installed vertically or horizontally
- DIN flanged connections (ANSI option)
- Maximum pressure of 16 bar
- Maximum temperature of 50°C (T30 or T50)
- Pulse Output option: Vmax=24AC/DC, Imax=0.01A
- Tamper evident wire lock & seal

Dimensions



Dial plate design



Standard flange under ISO 7005-2:1998(E) PN16

Size	DN40	DN50	DN65	DN80	DN100	DN125	DN150	DN200	DN250	DN300	DN350	DN400	DN500
L	260	200	200	225	250	250	300	350	450	500	500	600	800
H	225	252	262	272	282	297	341	371	480	516	560	647	785
H1	303	339	349	359	369	384	428	458	576	603	603	723	838
G	360	400	400	400	400	400	500	500	710	730	730	830	930
D	150	165	185	200	220	250	285	340	405	460	520	580	715
D1	110	125	145	160	180	210	240	295	355	410	470	525	650
nxM	4xM16		8xM16			8xM20	12xM20		12xM24		16xM24	16xM27	20xM30

Additional flange selection under ISO 7005-2:1998(E) PN10, ASME B16.1-Class 125 working for B16.5-Class 150

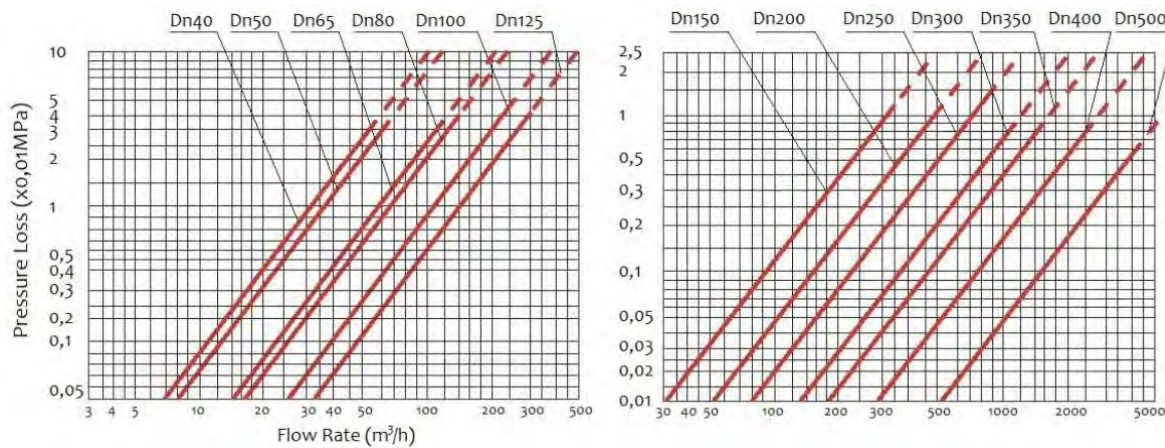
Additional length options available:

Size	DN40	DN50	DN65	DN80	DN100	DN125	DN150	DN200	DN250	DN300	DN350	DN400	DN500
L		250	250	200	300		430					500	500
		270	260	270	360								
		310		300	483								
				413									

Technical Data

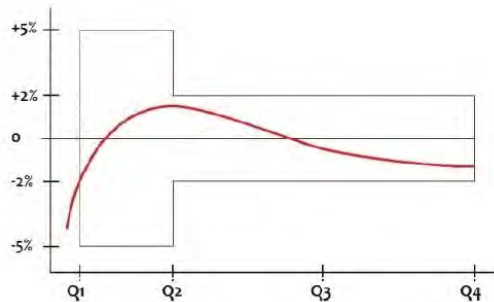
Size	DN	DN40	DN50	DN65	DN80	DN100	DN125	DN150	DN200	DN250	DN300	DN350	DN400	DN500	
R	Q3/Q1	50	80												
Q4	m ³ /h	31.325	50	78.75	78.75	125	200	312.5	500	787.5	1250	1250	2000	3125	
Q3	m ³ /h	25	40	63	63	100	160	250	400	630	1000	1000	1600	2500	
Q2	m ³ /h	0.8	0.8	1.26	1.26	2	3.2	5	8	12.6	20	20	32	50	
Q1	m ³ /h	0.5	0.5	0.7875	0.7875	1.25	2	3.125	5	7.875	12.5	12.5	20	31.25	
Max. Reading	m ³	999999.999						999999.99			9999999.9				
Min. Reading	Litre	0.0005						0.005			0.05				
Press Loss Class	ΔP	10	16	10	10	10	16	10	10	10	10	10	10	10	
Max. Pressure	Bar	16													
Max. Temperature	°C	50 (T30 or T50)													

Pressure Loss Curve



Max. Permissible Error

From Q1 inclusive up to but excluding Q2 is $\pm 5\%$
 From Q2 inclusive up to and including Q4 is $\pm 2\%$



Meet the **VuAqua** family



Pulse Output

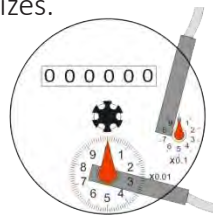
Pulse output option available on all sizes.

Pulse Output Capacity (m³/pulse):

DN40 to DN125: 0.1 or 1

DN150 to DN200: 1 or 10

DN250 to DN500: 10 or 100



Distributed by:



UK / Europe Office
 Tel: +44 (0)1382 443000
 Email: info@omni.uk.com
www.omniinstruments.co.uk