



## SWT-99W

- multichannel meter with graphic LCD display
- up to 8 TC/RTD inputs
- 2 electronic relay outputs (optoMOS)
- programmable measuring range and indication filtration
- LCD display, with backlight
- RS-485, USB-PC / Modbus RTU
- free configuration S-Toolkit software

The SWT-99W meter is intended for measuring and presentation of current values from max. 8 measuring channels in TC (K, S, J, T, N, R, B, E) and RTD (Pt100/500/1000) standard. The LCD graphical display allows for visualization of the values from all 8 channels simultaneously. A significant advantage is possibility of viewing the trends in each measuring channel as the graphs from the last 12 seconds to 8 hours. The SWT-99W is equipped with 2 electronic relay outputs that can be used to control external devices. There are icons on the screen signalling the status of the outputs. The meter can be configured with the local keyboard or free S-Toolkit software via the RS-485 or USB-PC communication port.

### TECHNICAL DATA

Power supply Power consumption	19V ÷ 50V DC; 16V ÷ 35V AC or 85 ÷ 260V AC/DC or 12V AC/DC, all separated typical 7 VA; max. 12 VA
Display	graphic LCD, 128 x 64 points, with backlight (white)
Input	2, 4 or 8 x TC (K, S, J, T, N, R, B, E) / RTD (Pt100, Pt500, Pt1000) inputs, automatic connection recognition (2 or 3-wires), measurement wires resistance max. 20 (every wire)
Measurement range	RTD: -100°C ÷ +600°C TC: -200°C ÷ +1370°C (K); -50°C ÷ +1768°C (S); -210°C ÷ +1200°C (J); -200°C ÷ +400°C (T); -200°C ÷ +1300°C (N); -50°C ÷ +1768°C (R); +250°C ÷ +1820°C (B); -200°C ÷ +1000°C (E); 0 ÷ 60 mV, 0 ÷ 75 mV, 0 ÷ 100 mV or 0 ÷ 150 mV
Accuracy	0.1% @ 25°C (inputs: millivoltage, RTD, TCK, J, E); 0.2% @ 25°C (thermocouple N), 0.5% @ 25°C (TCS, T, R, B)
Stability	50 ppm/°C
Sampling rate	depends on the number and type of inputs
Binary outputs	2 electronic relays, NO type (ER1, ER2) with max. load 24V AC (35V DC) / 200 mA, overload protection
Communication interface	RS-485, 8N1 and 8N2, 1200 bit/s ÷ 115200 bit/s, Modbus RTU (not galvanically isolated)
Operating temp.	0°C ÷ +50°C
Storage temp.	-10°C ÷ +70°C
Protection class	IP 65 (front); optional integrated frame for panel cut-out sealing and STD-99 transparent door (see: Accessories); IP 20 (case and connection clips)
Case	panel mounting; material: NORYL - GFN2SE1
Dimensions	case (WxHxD): 96 x 96 x 100 mm panel cut-out dimensions: 90.5 x 90.5 mm installation depth: min. 102 mm board thickness: standard 7 mm or other depending on used board thickness brackets (see: Accessories)
Weight	411 g max.

For pricing or any further information, please contact Omni Instruments Ltd.



Measurement and data acquisition solutions

**Contact Details:**

Tel: +44 1382 443000

Email: info@omni.uk.com

Website: www.omniinstruments.co.uk

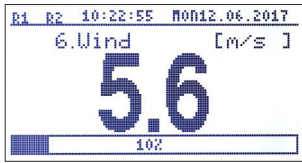
**Mailing Address:** Unit 1, 14 Nobel Road,

Wester Gourdie Industrial Estate,

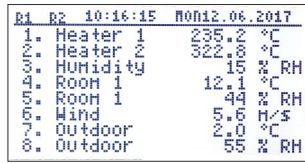
Dundee, DD2 4UH.

**DATA PRESENTATION**

The individual text description of each recorded channels is possible. The multi-language menu assisted with full text descriptions makes the unit configuration process fast and easy.



Real time measurement value  
18 mm high digits



Channels list results presentation mode  
- parameters set as "values"

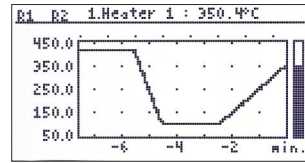
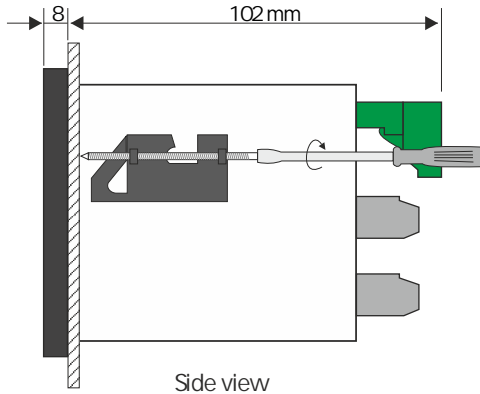
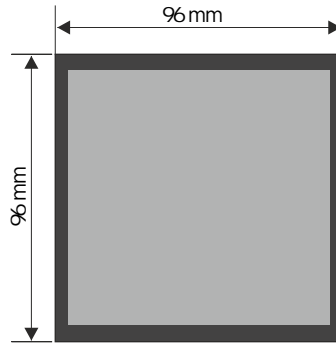


Chart view

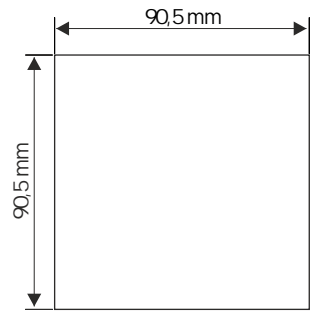
**DIMENSIONS**



Side view

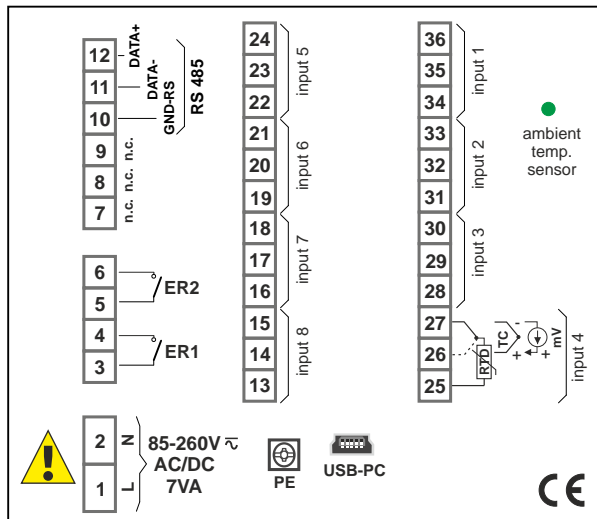


Case dimensions



Panel cut-out dimensions

**EXAMPLARY PIN ASSIGNMENTS**



**ORDERING**

SWT-99W-XX28-50-X-OXX

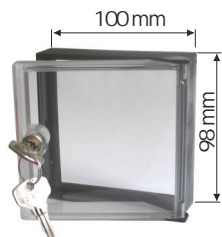
number & type of inputs:  
2T : 2 x TC/RTD  
4T : 4 x TC/RTD  
8T : 8 x TC/RTD

power supply:  
3 : 24V AC/DC  
4 : 85V ÷ 260V AC/DC  
5 : 12V AC/DC

options:  
OO : no options  
O1 : integrated frame for panel cut-out sealing  
O8 : operating temperature -20°C ÷ +50°C including PCB conformal coating  
OP : integrated frame for panel cut-out sealing  
+ operating temperature -20°C ÷ +50°C including PCB conformal coating

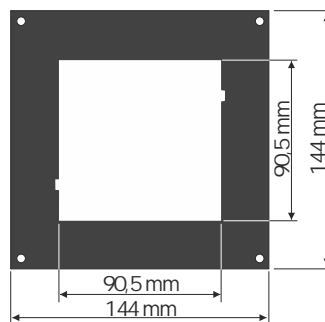
For pricing or any further information, please contact Omni Instruments Ltd.

## SECURITY DOOR WITH LOCK



**STD-99**  
A transparent door with IP 54 rate and lockable with security key, for 96 x 96 mm case

## MOUNTING PLATES



**SMP-1414/99**  
to mount 96 x 96 mm size unit in place of 144 x 144 mm cut-out

## BOARD THICKNESS BRACKETS / ADAPTORS



**SPH-07**  
1 ÷ 7 mm board thickness brackets (2 pcs)  
standard included with device



**SPH-45**  
1 ÷ 45 mm board thickness brackets (2 pcs)

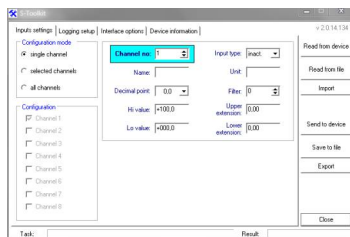


**SPH-05**  
1 ÷ 5 mm board thickness brackets (2 pcs)

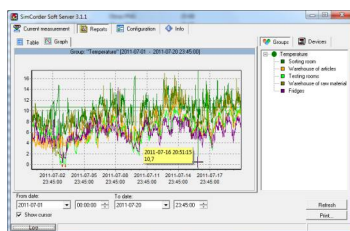


**SRH-99**  
brackets for mounting devices on DIN 35/7.5 or 15 rail (2 pcs)

## SOFTWARE



The S-ToolKit enables reading and writing operations of configuration, updating the device firmware and obtaining basic information through RS-485 serial interface. This application enables to quickly and easily define device parameters in one of three possible configuration models. The set of parameters can be transmitted directly to the device or stored in a file for future use.



SimCorder Soft is a visualisation application created to facilitate work with advanced networks of the SIMEX devices, for acquisition, visualisation, reporting, archiving, exporting and printing of measurement data from all network devices. You can download measurements from the devices automatically or on demand. There is a possibility of immediate notification about emergency states via SMS or e-mail, which will often allow to quickly resolve an arising problem while avoiding long and expensive stoppages. You can view the measurement data, emergency states and configuration via the internet at every time.

## CONVERTERS



The SRS-U4 converter is designed to connect a USB host to slave devices equipped with RS-485 interface. The PC with special software can be used as a host. The SRS-U4 unit guarantees full galvanic isolation between USB and RS-485 circuits. The converter can work with any devices equipped with RS-485 interface and contains integrated circuit which supports USB 1.1 and USB 2.0 standards. The main purpose is connection of PC host computer with industrial data acquisition and visualisation systems based on RS-485 interface.

The SRS-U4 can be also manufactured with DIN mounting adaptor.

For pricing or any further information, please contact Omni Instruments Ltd.