



SRP-94



SRP-946

SRP-94 / SRP-946

- process meter with a large, 20 mm high, LED display
- inputs: 0/4-20 mA, 0/1-5V, 0/2-10V, 0-60/75/100/150 mV
- 0, 2, 3 or 4 relay / OC outputs
- analogue output: active or passive, power supply output: 24V DC
- RS-485 / Modbus RTU
- free configuration software S-Config
- New:
- pumps control function - Alternating Relays*
- design with 3 relay outputs + analog output

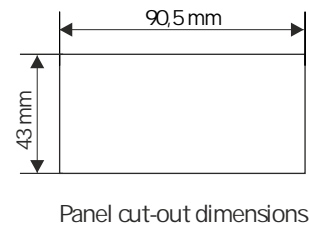
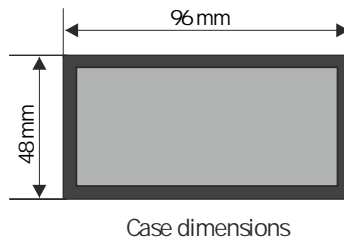
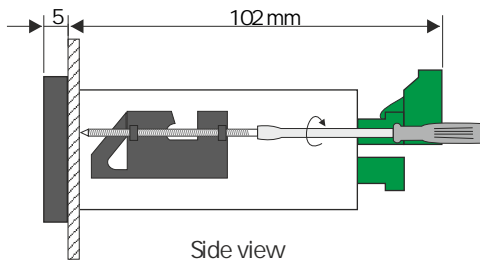
The SRP-94(6) meter is designed for measuring of typical current or voltage signals. The readouts are presented on well-readable display with standard range of four digits or five/six digits for more demanding applications (e.g. measurement range: 4 - 20 mA, indications range: 0 - 20 000 kg). Thanks to wide range of characteristic curves (linear, square root, quadratic, user-defined and volume characteristic for cylindrical tanks) the meters may be used in various process control systems. The 24V DC / 100 mA output is designed to supply measuring transducers, and the RS-485 port enables data transmission in production process monitoring systems. The relay / OC control outputs can adjust the level of measured signal and are controlled according to one or two threshold values. Moreover, the meter can be equipped with analogue outputs, according to the customer selection: active current output, passive isolated current output or active voltage output. The new function, alternating relays*, enables automatic switching of outputs, which is used, among other things, to control the operation of two pumps alternately. The meter can be configured with the local keyboard or free S-Config software via the RS-485 communication port.

* available only in SRP-94

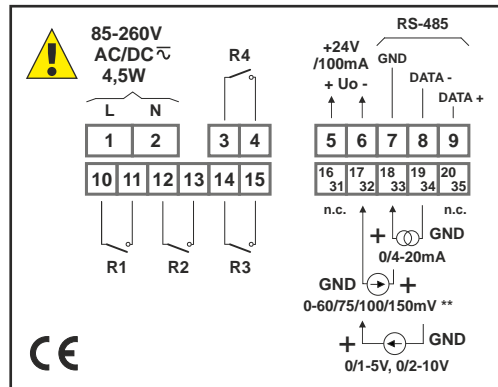
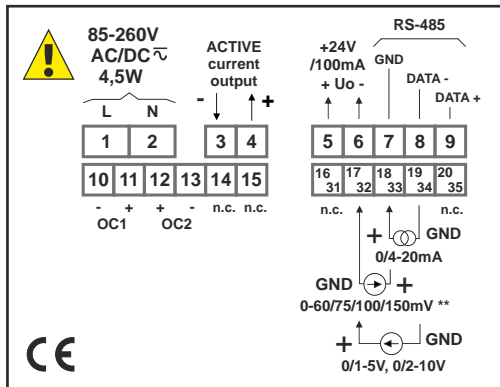
TECHNICAL DATA

Power supply Power consumption	19V ÷ 50V DC, 16V ÷ 35V AC or 85 ÷ 260V AC/DC or 12V AC/DC, all separated for 12V AC/DC, 85 ÷ 260V AC/DC and 16V ÷ 35V AC power supply: max. 4.5 VA; for 19V ÷ 50V DC power supply: max. 4.5 W
Display	LED, 4 x 20 mm or 6 x 13 mm high, red or green (option), brightness adjustable in 8 steps
Displayed values	-999 ÷ 9999 or -99999 ÷ 999999 + decimal point
Input	<u>current</u> : 0-20 mA or 4-20 mA, programmable, input resistance < 65 Ω (typ. 55 Ω), overload-protected, input current limited to 40 mA; <u>voltage</u> : 0-5V, 1-5V, 0-10V or 2-10V, programmable, input resistance > 50 k Ω <u>milivoltage</u> (only in SRP-94): 0-60 mV, 0-75 mV, 0-100 mV, 0-150 mV; programmable; input resistance > 100 k Ω accepted prolonged input overload: 20%
Accuracy	0.1% @ 25°C ± one digit (for 0-20 mA range)
Stability	50 ppm/°C
Binary outputs	0, 2, 3 or 4 x relay (REL) NO 5A/250V AC (resistance), 3A/250V AC (reactance) or OC I _{max} =30mA, U _{max} =30VDC, P _{max} =100mW
Analogue output (available with 2x relay or OC, see ordering)	<u>active current</u> : operating range 0/4-20 mA (max. 0-24 mA), load resistance 700 Ω max., resolution 13 bit <u>passive current</u> : isolated, operating range 4-20 mA (max. 2.8-24 mA), load resistance 600 Ω @ 24VDC, resolution 13 bit <u>active voltage</u> : operating range 0/1-5V, 0/2-10V (max. 0-11V), load resistance min. 2000 Ω , resolution 13 bit
Power supply output	24V DC +5%, -10% / max. 100 mA (24V and 85 ÷ 260V AC/DC), stabilized; 24V DC +5% / max. 50 mA (for 12V AC/DC)
Communication interface	RS-485, 8N1 and 8N2, 1200 bit/s ÷ 115200 bit/s, Modbus RTU (not galvanically isolated)
Operating temp.	0°C ÷ +50°C (standard), -20°C ÷ +50°C (option)
Storage temp.	-20°C ÷ +70°C
Protection class	IP 65 (front), optional integrated frame for panel cut-out sealing; IP 20 (case and connection dips)
Case	panel mounting; material: NORYL - GFN2S E1
Dimensions	<u>case (WxHxD)</u> : 96 x 48 x 100 mm <u>panel cut-out dimensions</u> : 90.5 x 43 mm <u>installation depth</u> : min. 102 mm <u>board thickness</u> : standard 7 mm or other depending on used board thickness brackets (see Accessories)
Weight	230 g max.

DIMENSIONS



EXAMPLARY PIN ASSIGNMENTS



ORDERING

SRP-X-1XXX-1-X-XX1

display:
 94: 4-digits
 946: 6-digits

type of input:
 8: 0-20mA, 4-20mA, 0/1-5V, 0/2-10V
 C: 0-60/75/100/150mV **

type of outputs:
 00: no output
 21: 2 x REL
 22: 2 x OC
 33: 2 x REL + 1 x AO (0/4-20mA, active, non-isolated)
 34: 2 x OC + 1 x AO (0/4-20mA, active, non-isolated)
 39: 2 x REL + 1 x AO (4-20mA, passive, isolated)
 3A: 2 x OC + 1 x AO (4-20mA, passive, isolated)
 3B: 2 x REL + 1 x AO (0/1-5V, 0/2-10V, active, non-isolated)
 3C: 2 x OC + 1 x AO (0/1-5V, 0/2-10V, active, non-isolated)
 41: 4 x REL
 42: 4 x OC
 4F: 3 x REL + 1 x AO (0/4-20mA, active, non-isolated)
 4G: 3 x REL + 1 x AO (4-20mA, passive, isolated)
 4H: 3 x REL + 1 x AO (0/1-5V, 0/2-10V, active, non-isolated)

options:
 00: no options
 01: integrated frame for panel cut-out sealing
 03: green colour LED display
 04: integrated frame for panel cut-out sealing + green colour LED display
 08: operating temp. -20°C ÷ +50°C
 0P: integrated frame for panel cut-out sealing + operating temp. -20°C ÷ +50°C
 0L: green colour LED display + operating temp. -20°C ÷ +50°C
 0T: integrated frame for panel cut-out sealing + green colour LED display + operating temp. -20°C ÷ +50°C

power supply:
 3: 24V AC/DC
 4: 85V ÷ 260V AC/DC
 5: 12V AC/DC

** only for SRP-94

For pricing or any further information, please contact Omni Instruments Ltd.

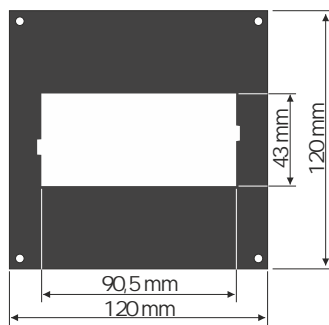


Contact Details:
 Tel: +44 1382 443000
 Email: info@omni.uk.com

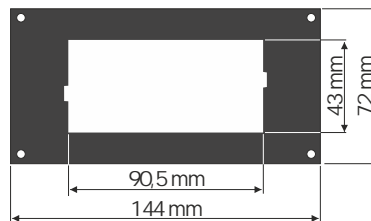
Website: www.omniinstruments.co.uk

Mailing Address: Unit 1, 14 Nobel Road,
 Wester Gourdie Industrial Estate,
 Dundee, DD2 4UH.

MOUNTING PLATES



SMP-99/94
to mount 96 x 48 mm
size unit in place
of 96 x 96 mm cut-out



SMP-147/94
to mount 96 x 48 mm
size unit in place
of 144 x 72 mm cut-out

BOARD THICKNESS BRACKETS / ADAPTORS



SPH-07
1 ÷ 7 mm board thickness
brackets (2 pcs)
standard included with device



SPH-45
1 ÷ 45 mm board thickness
brackets (2 pcs)

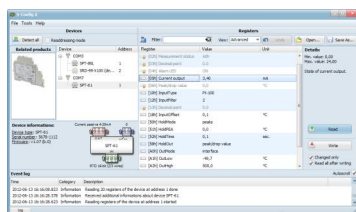


SPH-05
1 ÷ 5 mm board thickness
brackets (2 pcs)

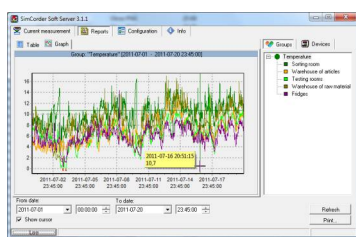


SRH-94
brackets for mounting devices
on DIN 35/7.5 or 15 rail (2 pcs)

SOFTWARE



S-Config 2 is used for the simultaneous detection of devices in multiple Modbus RTU networks and allows user to change the configuration of most of them. For each detected device a list of its registers, which the user can modify, is displayed and also additional informations about device parameters (type, address in the network, etc.). S-Config software can be downloaded from SIMEX website at www.simex.pl



SimCorder Soft is a visualisation application created to facilitate work with advanced networks of the SIMEX devices, for acquisition, visualisation, reporting, archiving, exporting and printing of measurement data from all network devices. You can download measurements from the devices automatically or on demand. There is a possibility of immediate notification about emergency states via SMS or e-mail, which will often allow to quickly resolve an arising problem while avoiding long and expensive stoppages. You can view the measurement data, emergency states and configuration via the internet at every time.

CONVERTERS



The SRS-U4 module is designed to connect a USB host to slave devices equipped with RS-485 interface. The PC with special software can be used as a host. The SRS-U4 unit guarantees full galvanic isolation between USB and RS-485 circuits. The converter can work with any devices equipped with RS-485 interface and contains integrated circuit which supports USB 1.1 and USB 2.0 standards. The main purpose is connection of PC host computer with industrial data acquisition and visualisation systems based on RS-485 interface.

The SRS-U4 can be also manufactured with DIN mounting adaptor.

For pricing or any further information, please contact Omni Instruments Ltd.