

# Industrial, Mineral Insulated Thermocouples, PTFE lead

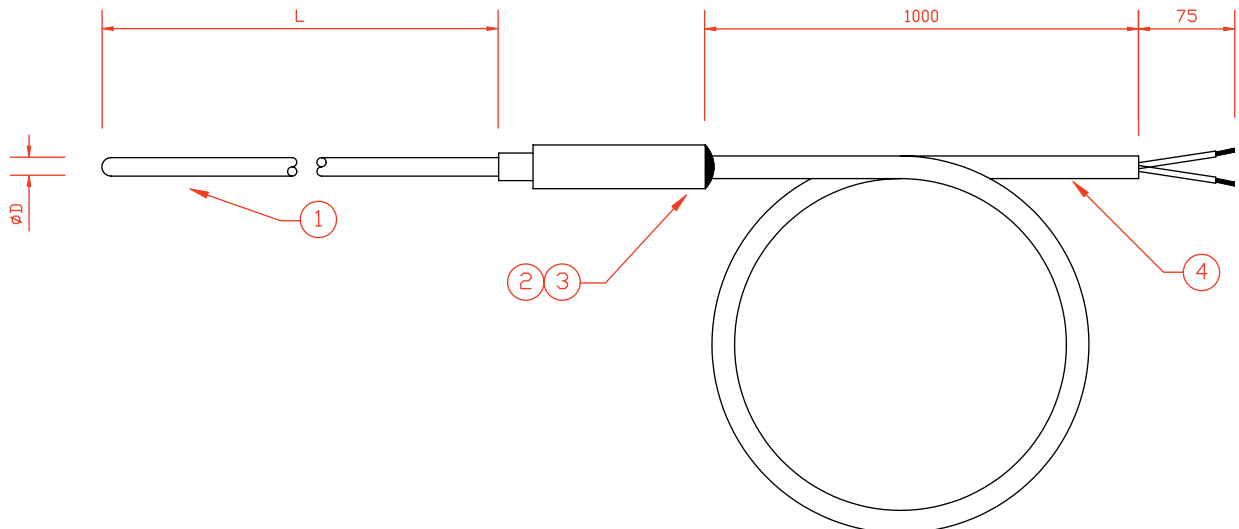
Type K, mineral insulated, flexible, stainless steel sheathed thermocouple probe with PTFE insulated extension lead

## Specifications

Sensor Type	Thermocouple type K to IEC 60584
Probe Material	310 stainless steel with welded tip. Mineral insulated conductors with insulated junction
Tip Temperature Rating	-40°C to 1100°C
Probe termination	Plain pot seal
Pot temperature Rating	180°C
Termination	Flying lead & tails; PTFE insulated, 7/0.2mm, 1 metre

## Dimensions and Codes

Diameter (D)	Length (L)	Omni Ref.
3.0mm	150mm	KTCMI150-3MM-1M
3.0mm	250mm	KTCMI250-3MM-1M
3.0mm	500mm	KTCMI500-3MM-1M



For pricing or any further information, please contact Omni Instruments Ltd.



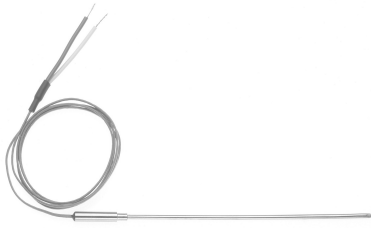
Measurement and data acquisition solutions

### Contact Details:

Tel: +44 1382 443000  
Email: [info@omni.uk.com](mailto:info@omni.uk.com)

Website: [www.omniinstruments.co.uk](http://www.omniinstruments.co.uk)

**Mailing Address:** Unit 1, 14 Nobel Road,  
Wester Gourdie Industrial Estate,  
Dundee, DD2 4UH.



## Industrial, Mineral Insulated Thermocouples, PTFE lead

Type K, mineral insulated, flexible, stainless steel sheathed thermocouple probe with PTFE insulated extension lead

### Specifications

Sensor Type	Thermocouple type K to IEC 60584
Probe Material	310 stainless steel with welded tip. Mineral insulated conductors with insulated junction
Tip Temperature Rating	-40°C to 1100°C
Probe termination	Plain pot seal
Pot temperature Rating	180°C
Termination	Flying lead & tails; PTFE insulated, 7/0.2mm, 1 metre

### Dimensions and Codes

Diameter (D)	Length (L)	Omni Ref.
3.0mm	150mm	KTCMI150-3MM-1M
3.0mm	250mm	KTCMI250-3MM-1M
3.0mm	500mm	KTCMI500-3MM-1M

For pricing or any further information, please contact Omni Instruments Ltd.



Measurement and data acquisition solutions

#### Contact Details:

Tel: +44 1382 443000

Email: [info@omni.uk.com](mailto:info@omni.uk.com)

Website: [www.omniinstruments.co.uk](http://www.omniinstruments.co.uk)

#### Mailing Address:

Unit 1, 14 Nobel Road,

Wester Gourdie Industrial Estate,

Dundee, DD2 4UH.