

# MJ-SD-H

Multi-jet water meter with dry dial



The **VuAqua MJ-SDC-H** is a multi-jet mechanical water meter with dry type dial counter suitable for a variety of metering applications including general purpose, sub-tenant and commercial metering tasks available in sizes DN15 (1/2") to DN50 (2").

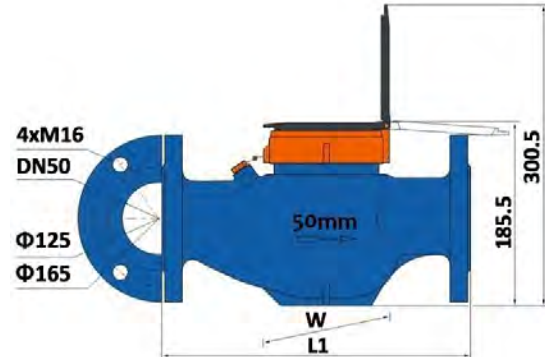
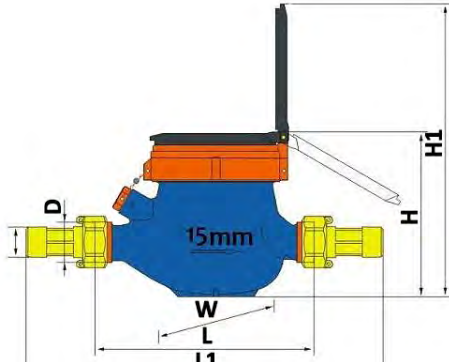
## Key Features

- Multi-jet impellar meter type
- Compact design for most metering applications
- Accuracy Class B
- Dry dial (frost resistant)
- Meter body material is epoxy coated brass
- Can be installed vertically or horizontally
- BSP fittings supplied (nuts, tails & washers)
- Maximum pressure of 16 bar
- Maximum temperature of 90°C (T90)
- Integral filtration strainer to stop large particles
- Tamper evident wire lock & seal

For pricing or any further information, please contact Omni Instruments Ltd.



## Dimensions



| Size | DN15  | DN20  | DN25    | DN32    | DN40   | DN50    | DN50-flange |
|------|-------|-------|---------|---------|--------|---------|-------------|
| L    | 165   | 190   | 260     | 260     | 300    | 300     | 300         |
| L1*  | 259   | 294   | 380     | 384     | 431    | 448     |             |
| D    | G3/4B | G1B   | G1-1/4B | G1-1/2B | G2B    | G2-1/2B |             |
| d    | R1/2  | R3/4  | R1      | R1-1/4  | R1-1/2 | R2      |             |
| H    | 107.5 | 107.5 | 117.5   | 117.5   | 141.5  | 177     | 185.5       |
| H1   | 191   | 191   | 206.5   | 206.5   | 256.5  | 292     | 300.5       |
| W    | 94    | 94    | 98      | 98      | 122    | 145     | 165         |

\*L1= the total length with connection and the gasket without compression.

Additional length options available:

| Size | DN15 | DN20 | DN25 | DN32 | DN40 | DN50 | DN50 Flange |
|------|------|------|------|------|------|------|-------------|
| L    | 110  | 160  | 160  | 160  | 200  | 280  | 280         |
|      | 120  |      | 220  | 230  | 245  |      |             |
|      | 130  |      | 225  |      |      |      |             |
|      | 145  |      |      |      |      |      |             |
|      | 170  |      |      |      |      |      |             |
|      | 190  |      |      |      |      |      |             |

## Technical Data

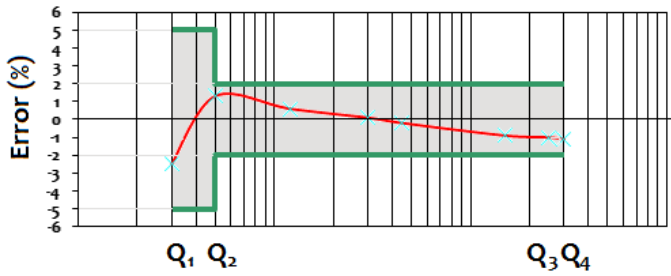
| Size             | DN                | DN15                            | DN20 | DN25  | DN32 | DN40 | DN50  |
|------------------|-------------------|---------------------------------|------|-------|------|------|-------|
| R                | Q3/Q1             | R80 for Horizontal Installation |      |       |      |      |       |
| Q4               | m <sup>3</sup> /h | 3.125                           | 5    | 7.875 | 12.5 | 20   | 31.25 |
| Q3               | m <sup>3</sup> /h | 2.5                             | 4    | 6.3   | 10   | 16   | 25    |
| Q2               | l/h               | 50                              | 80   | 126   | 200  | 320  | 500   |
| Q1               | l/h               | 31.25                           | 50   | 78.75 | 125  | 200  | 312.5 |
| Max. Reading     | m <sup>3</sup>    | 99999.9999                      |      |       |      |      |       |
| Min. Reading     | Litre             | 0.05                            |      |       |      |      |       |
| Pressure Loss    | ΔP                | ΔP < 63 at Q3                   |      |       |      |      |       |
| Max. Pressure    | Bar               | 16                              |      |       |      |      |       |
| Max. Temperature | °C                | JEA 22                          |      |       |      |      |       |

For pricing or any further information, please contact Omni Instruments Ltd.



## Max. Permission Error

From Q1 inclusive up to but excluding Q2 is  $\pm 5\%$   
 From Q2 inclusive up to and including Q4 is  $\pm 2\%$

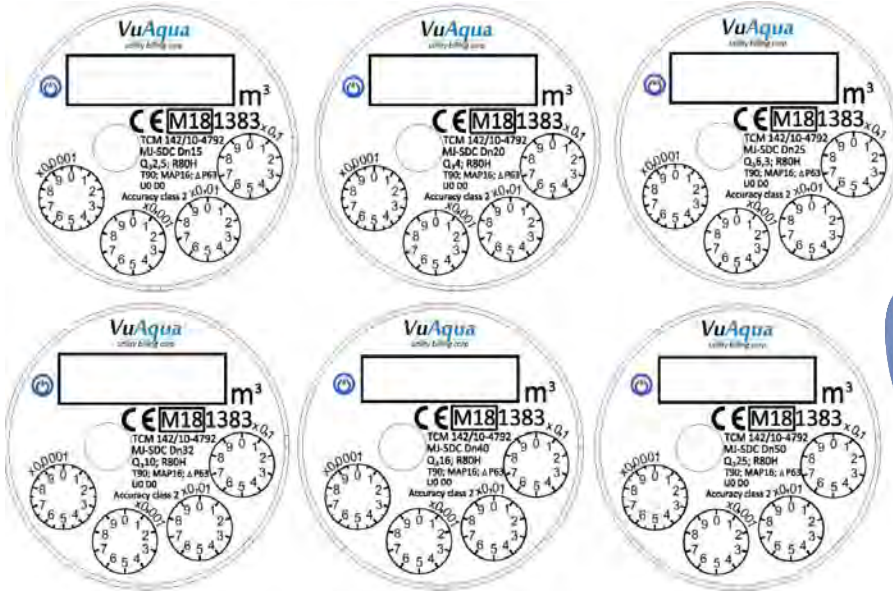


## Pulse Output

Pulse output option available on all sizes.

Pulse Output Capacity (litres/pulse):  
 10, 100, 100 or 1000

## Dial Options



Distributed by:

Meet the **VuAqua** family

Whilst every effort has been made to ensure the accuracy of this specification, we cannot accept responsibility for damage, injury, loss or expense from errors or omissions. In the interest of technical improvement, this specification may be altered without notice.

For pricing or any further information, please contact Omni Instruments Ltd.