

## Professional Weather Station

Easy to use, configurable multi-parameter weather stations

### MetConnect allows users to build the system they need.

MetConnect contains a number of integrated sensors. Additional, user selected sensors can be added to build the system needed for a particular application.

**MetConnect data is easy to use and reliable.** The data from all the sensors is combined and output as a single string and is available on a range of communication protocols. Status codes can be included in the data to confirm the reliability of measurements.

**MetConnect is designed to be simple to configure, install, and maintain.** MetConnect is supported by easy-to-use configuration and data viewing software. In addition Gill offer a range of accessories and spares and experienced customer technical support.



**MetConnect THP** combining **temperature, humidity** and **pressure** and measurements from user selected sensors

### Typical Applications

- Ports, marinas, data buoys, and commercial shipping.
- Meteorological measurement requiring separated sensors.
- Solar park management including wind, rain and solar intensity.
- Agricultural research combining rain, moisture and sunlight.

### Key Features

- High quality integrated sensors including temperature, humidity and pressure.
- Inputs for wind, rainfall, PRT (temp) and two analogue sensors.
- Time synchronized data available via multiple output protocols.
- Compact, robust design using 316 stainless steel and IP66/67 rating.
- Customer support available including set-up and display software and

### Benefits

- Easy to configure for a wide range of applications with high quality sensors and the ability to connect additional instruments.
- Easy installation due to the compact, integrated physical design.
- Easy set-up with the support of downloadable set-up software.
- Easy integration with receiving controllers and loggers via a range of output protocols, and single combined data output.
- High levels of environmental protection and easy maintenance provided by stainless steel construction and field replaceable sensors.



**MetConnect connectors** allow expansion and provide high IP rating

For pricing or any further information, please contact Omni Instruments Ltd.

## Professional Weather Station

Easy to use, configurable multi-parameter weather stations

AIR TEMPERATURE	
Range	-35°C TO +70°C
Accuracy	0.2°C (-35°C to +70°C)
Resolution	0.1°C
Units of measurement	°C, °F

RELATIVE HUMIDITY	
Range	0-100%RH
Accuracy	1.5% RH @ 25°C (0-80%RH) Typical 2% (-35°C to 70°C, 0-100%RH)
Resolution	1% RH
Units of measurement	% RH

BAROMETRIC PRESSURE	
Range	300-1100 hPa
Accuracy	+/- 0.5 hPa @ 0 to 50°C
Resolution	0.1 hPa
Units of measurement	hPa, mbar, mmHg, inHg

ADDITIONAL INPUTS	
Wind	For Gill Instruments anemometer (contact Gill Instruments for details)
Contact closure	For tipping bucket rain gauge
Pt100 Temp probe	4 wire Pt100 conforms to IEC 60751
Analogue 1	0-5V or 4-20mA loop or self powered
Analogue 2	0-5V or 4-20mA loop or self powered
Note: 5V power is available on additional sensor input connectors	

OUTPUTS	
Digital comms modes	RS232 RS422 RS485 (2 wire pt to pt) MODBUS SDI-12
Protocols	ASCII, SDI-12 v1.3 MODBUS (RTU and ASCII) NMEA0183
Data output rates	1 measurement per second 1 measurement per 2 seconds 1 measurement per 4 seconds polled

POWER SUPPLY	
Input voltage	5-30V DC
Current @ 12V DC	<70mA @ 12Vdc

CONNECTIVITY	
Connectors	M12 8-way connectors on all inputs and outputs

MECHANICAL	
Bracket and Hub Box	Stainless steel 316 construction
Installation Fittings	Fit to 30mm to 58mm pole or mast
Weight	3.0 kg

ENVIRONMENTAL & REGULATORY	
Protection class	Hub Box and Pressure Sensor: IP66 & IP67 Temperature & Humidity Sensor: IP66
EMC	EN61326:2013
Operating temp.	-35°C to +70°C
Storage temp	-40°C to +70°C
Regional markings	CE, UKCA, FCC Part 15
RoHS compliant	Yes
Origin	UK (United Kingdom)

WARRANTY	
Warranty	12 months

SOFTWARE	
MetSet	Downloadable, free of charge software to set-up MetConnect products
MetView	Downloadable, free of charge software to display and log the measurement data produced by MetConnect products

Whilst every effort has been made to ensure the accuracy of this specification, we cannot accept responsibility for damage, injury, loss or expense from errors or omissions. In the interest of technical improvement, this specification may be altered without notice.

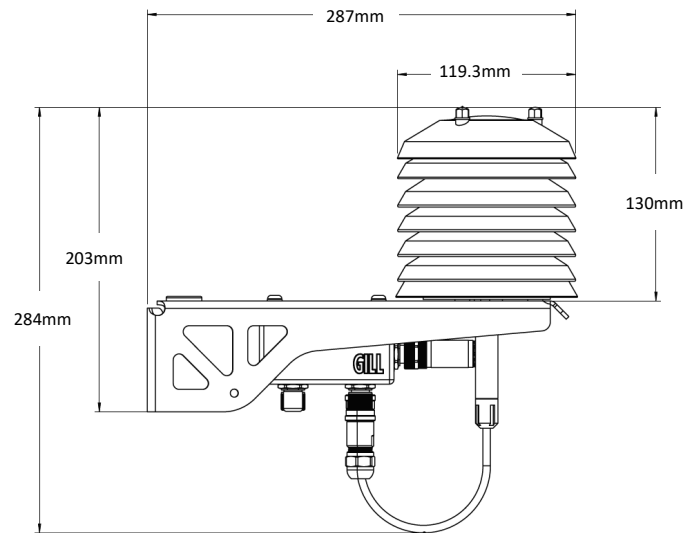
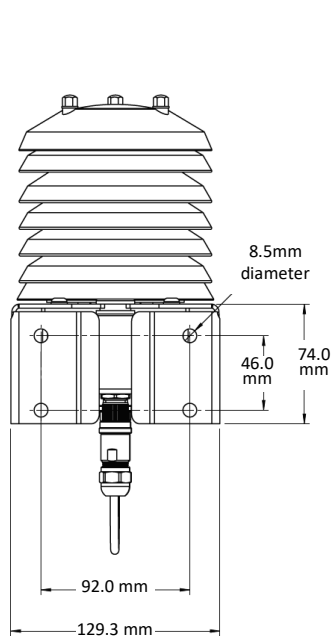
For pricing or any further information, please contact Omni Instruments Ltd.

# MetConnect THP

# Datasheet

## Professional Weather Station

Easy to use, configurable multi-parameter weather stations



METCONNECT PART NUMBERS & RANGE	
MetConnect THP (Temperature, Humidity & Pressure)	1733-PK-110
MetConnect One with Integrated Anemometer	1733-PK-120

RECOMMENDED INITIAL PURCHASE BUNDLE	
MetConnect THP	1733-PK-110
Convertor, M12 to USB for configuring MetConnect	1733-PK-030
Cable, power & communications cable, 10m with fitted M12 connector at MetConnect end	1733-PK-013
MetConnect User Manual* MetSet Software* to configure MetConnect MetView Software*, to view reported parameters	* download from Gill Instruments website

ACCESSORIES	
Connector, M12, 8 way, field wireable	1733-PK-002
Cable, 4 pair for power & communications cable, supplied per metre	1733-PK-010
Cable, power & communications cable, 2m with fitted M12 connector at MetConnect end	1733-PK-011
Cable, power & communications cable, 10m with fitted M12 connector at MetConnect end	1733-PK-013
Cable, power & communications cable, 20m with fitted M12 connector at MetConnect end	1733-PK-014
Bracket mounting kit, replacement for re-mounting MetConnect	1733-PK-022
Convertor, M12 to USB for configuring MetConnect	1733-PK-030
Sensor, replacement pressure sensor	1733-PK-040
Sensor, replacement temperature & humidity sensor	1733-PK-041
MetConnect User Manual* MetSet Software* to configure MetConnect MetView Software*, to view reported parameters	* download from Gill Instruments website

Whilst every effort has been made to ensure the accuracy of this specification, we cannot accept responsibility for damage, injury, loss or expense from errors or omissions. In the interest of technical improvement, this specification may be altered without notice.

For pricing or any further information, please contact Omni Instruments Ltd.



**Contact Details:**  
Tel: +44 1382 443000  
Email: info@omni.uk.com

**Website:** www.omniinstruments.co.uk

**Mailing Address:** Unit 1, 14 Nobel Road,  
Wester Gourdie Industrial Estate,  
Dundee, DD2 4UH.