

Local Power Worldwide



Rugged  
Silent  
Reliable

## LE-v150 Extreme

**Ultra tough** for challenging environments



# LE-v150 Extreme - Features

## LE-v150 Extreme

Ideal for **battery charging** applications where **space** is a premium

### Features:

#### Rugged

Stainless steel blades can survive winds of up to 35m/s (80mph)

#### Reliable

Only one set of parts and no brushes to wear out

#### Small and compact

Easy to install in places where space is limited

#### Lightweight

Weights just 13Kg

#### Designed for sub-zero temperatures

Keeps on working down to 40degC

#### Fully marinised

Designed for corrosive marine environment

## Proven in some of the most challenging environments

**This robust and compact vertical axis turbine is designed for a host of different battery charging applications, ranging from marine to data communications and rural broadband.**

The LE-v150 Extreme uses a proven cross-ventilated 'savonius' rotor design which gives excellent power conversion for a vertical axis turbine of this size. It's design means it can survive storm force winds that would destroy a traditional horizontal wind turbine.

The turbine will receive the wind from 360 degrees without the need to yaw into position.

At 270mm wide, the turbine fits into spaces that a traditional horizontal axis turbine simply can't.

The LE-v150 Extreme has fully lubricated sealed bearings, so no greasing or maintenance is required. With only 1 moving part and no brushes or slip-rings to wear out, there is little to go wrong.

# LE-v150 Extreme - Technical Overview

**Rotor diameter** - 270mm

**Rotor Height** - 918mm

**Rotor Type** - 3-Blade savonius

**Blade Material** - Stainless Steel

**Rated output** - 24W at 8m/s (18mph)

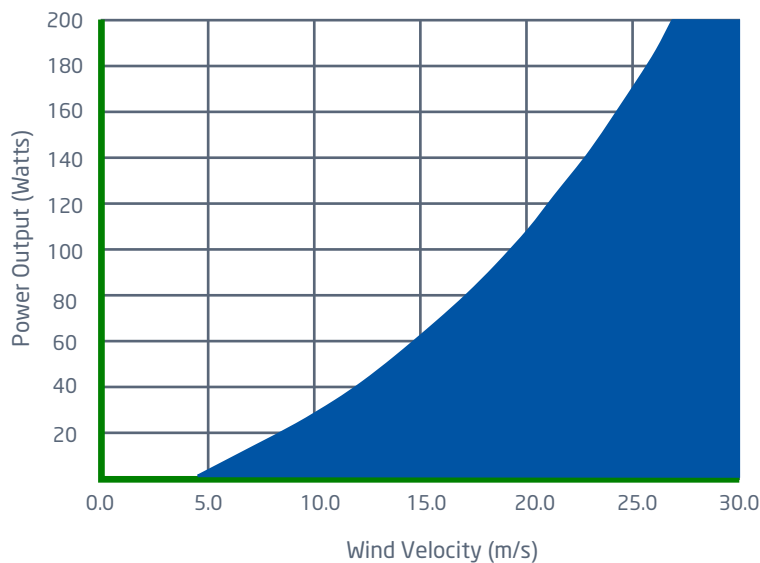
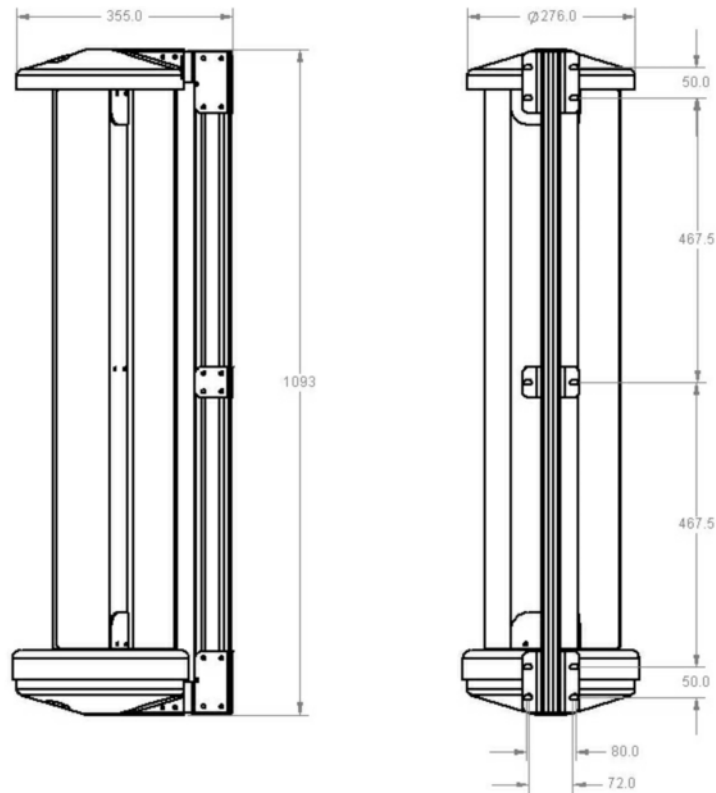
**Peak output** - 200W

**Cut-in speed** - 5m/s (11mph)

**DC output voltage** - 12V, 24V, 48V

**Weight** - 13Kg

**Warranty** - 2 years



Where wind speeds regularly reach over 27m/s (60mph), the LE-v150 Extreme is the wind turbine of choice. It features enhancements that reduce the stress and fatigue on the blades during prolonged periods of storm force winds. The overall turbine RPM is reduced while

maintaining the same power output as the standard LE-v150. In sub-zero temperatures, the black body absorbs UV light to help prevent ice build up while the low-temperature bearings mean the turbine continues generating power at temperatures down to -40 degC.



# LE-v150 Extreme - Applications



- Radio communications
- Data logging
- Rural broadband
- Marine
- Off-grid
- Security

Our LE-v150 Extreme vertical axis turbine is adapted for storm force winds and sub zero temperatures. The LE-v150 Extreme is suitable for use in challenging environments where space is limited such as on telecoms towers, CCTV stations.

Whilst every effort has been made to ensure the accuracy of this specification, we cannot accept responsibility for damage, injury, loss or expense from errors or omissions. In the interest of technical improvement, this specification may be altered without notice.

For pricing or any further information, please contact Omni Instruments Ltd.



**Contact Details:**  
Tel: +44 1382 443000  
Fax: +44 1382 453197  
Email: [info@omni.uk.com](mailto:info@omni.uk.com)

**Mailing Address:** Unit 1, 14 Nobel Road,  
Wester Gourdie Industrial Estate,  
Dundee, DD2 4UH.

**Website:** [www.omniinstruments.co.uk](http://www.omniinstruments.co.uk)