

Local Power Worldwide

Rugged
Silent
Reliable



LE-v150

The perfect **silent turbine** for battery charging applications



LE-v150 - Features



LE-v150

Ideal for **battery charging** applications where **space** is a premium

Features:

Output

24W at 8m/s (17.8mph), 200W max

Robust Design

Only one moving part so little can go wrong

Ideal for sub-zero temperatures

Keeps on working down to -40 degC

Small and compact

Easy to install in places where space is limited

Silent Operation

Noise produced is below that of background level

Lightweight

Weights just 13Kg

Proven in some of the most challenging environments

This robust and compact vertical axis turbine is designed for a host of different battery charging applications, ranging from marine to data communications and rural broadband.

The LE-v150 uses a proven cross-ventilated 'savourious' rotor design which gives excellent power conversion for a vertical axis turbine of this size. It's design means it can survive storm force winds that would destroy a traditional horizontal wind turbine.

The turbine will receive the wind from 360 degrees without the need to yaw into position.

At 270mm wide, the turbine fits into spaces that a traditional horizontal axis turbine simply can't.

The LE-v150 has fully lubricated sealed bearings, so no greasing or maintenance is required. With only 1 moving part and no brushes or slip-rings to wear out, there is little to go wrong.

LE-v150 - Technical Overview

Rotor diameter - 270mm

Rotor Height - 918mm

Rotor Type - 3-Blade savonious

Blade Material - Aluminium

Rated output - 24W at 8m/s (18mph)

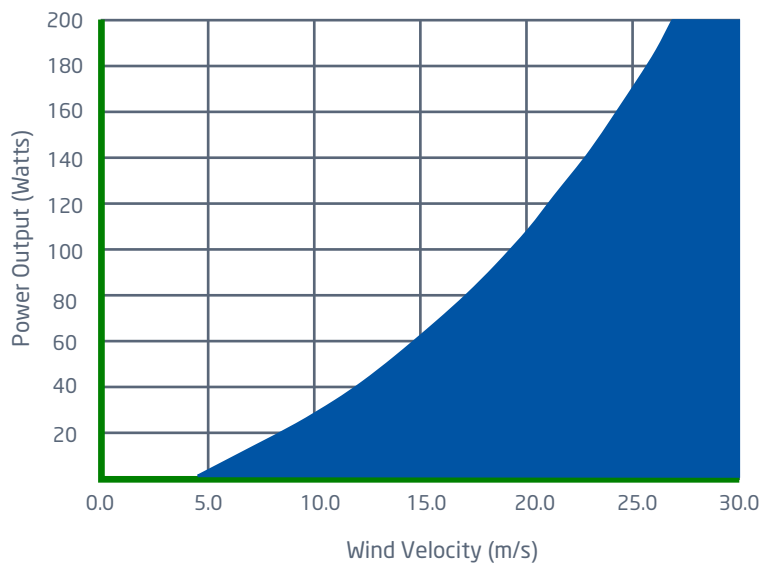
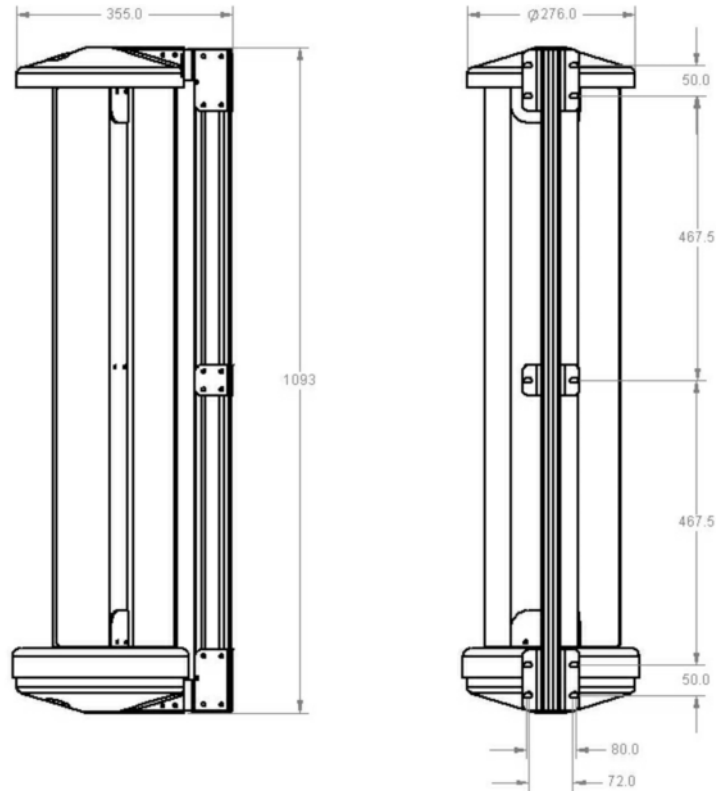
Peak output - 200W

Cut-in speed - 5m/s (11mph)

DC output voltage - 12V, 24V, 48V

Weight - 13Kg

Warranty - 2 years



Pure Performance

The LE-v150 wind turbine uses a proven 'Savonius' rotor design which gives silent and effective performance. Using the latest solid modelling and Computational Fluid Dynamic simulations, an elegant 'cross-ventilated' rotor provides good power conversion for a vertical axis wind turbine of this size.

The rotor is then coupled to our specially designed low inertia, zero 'cogging' axial flux permanent magnet alternator. Using Neodymium rare earth magnets, this alternator design has become one of the most field proven alternators that is deployed across the entire range of Leading Edge Turbines.

LE-v150 - Applications



- Radio communications
- Data logging
- Rural broadband
- Marine
- Off-grid
- Security

Our LE-v150 vertical axis turbine is suitable for trickle charging marine batteries or powering data logging/comms equipment in remote locations.

Whilst every effort has been made to ensure the accuracy of this specification, we cannot accept responsibility for damage, injury, loss or expense from errors or omissions. In the interest of technical improvement, this specification may be altered without notice.

For pricing or any further information, please contact Omni Instruments Ltd.



Contact Details:
Tel: +44 1382 443000
Fax: +44 1382 453197
Email: info@omni.uk.com

Mailing Address: Unit 1, 14 Nobel Road,
Wester Gourdie Industrial Estate,
Dundee, DD2 4UH.

Website: www.omniinstruments.co.uk