

MJ-SD-H

Multi-jet water meter with dry dial



The **VuAqua MJ-SDC-H** is a multi-jet mechanical water meter with dry type dial counter suitable for a variety of metering applications including general purpose, sub-tenant and commercial metering tasks available in sizes DN15 (1/2") to DN50 (2").

Key Features

- Multi-jet impellar meter type
- Compact design for most metering applications
- Accuracy Class B
- Dry dial (frost resistant)
- Meter body material is epoxy coated brass
- Can be installed vertically or horizontally
- BSP fittings supplied (nuts, tails & washers)
- Maximum pressure of 16 bar
- Maximum temperature of 90°C (T90)
- Integral filtration strainer to stop large particles
- Tamper evident wire lock & seal

For pricing or any further information, please contact Omni Instruments Ltd.

Contact Details:

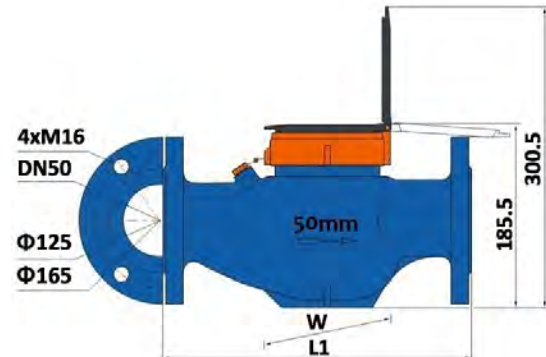
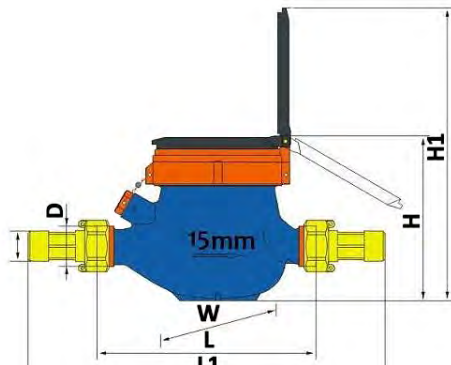
Tel: +44 845 9000 601
Fax: +44 845 9000 602
Local Tel: 01382 443000
Email: info@omni.uk.com

Mailing Address:

Suite E, East Kingsway Business Centre,
Mid Craigie Trading Estate, Mid Craigie Road,
Dundee, DD4 7RH, UK



Dimensions



Size	DN15	DN20	DN25	DN32	DN40	DN50	DN50-flange
L	165	190	260	260	300	300	300
L1*	259	294	380	384	431	448	
D	G3/4B	G1B	G1-1/4B	G1-1/2B	G2B	G2-1/2B	
d	R1/2	R3/4	R1	R1-1/4	R1-1/2	R2	
H	107.5	107.5	117.5	117.5	141.5	177	185.5
H1	191	191	206.5	206.5	256.5	292	300.5
W	94	94	98	98	122	145	165

*L1= the total length with connection and the gasket without compression.

Additional length options available:

Size	DN15	DN20	DN25	DN32	DN40	DN50	DN50 Flange
L	110	160	160	160	200	280	280
	120		220	230	245		
	130		225				
	145						
	170						
	190						

Technical Data

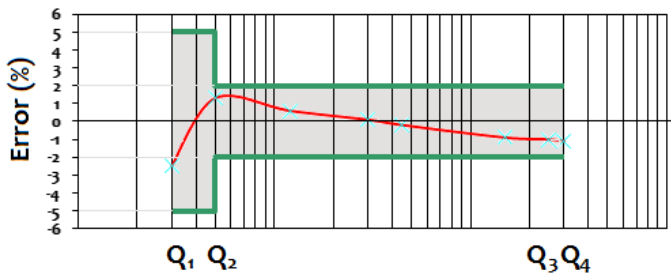
Size	DN	DN15	DN20	DN25	DN32	DN40	DN50
R	Q3/Q1	R80 for Horizontal Installation					
Q4	m ³ /h	3.125	5	7.875	12.5	20	31.25
Q3	m ³ /h	2.5	4	6.3	10	16	25
Q2	l/h	50	80	126	200	320	500
Q1	l/h	31.25	50	78.75	125	200	312.5
Max. Reading	m ³	99999.9999					
Min. Reading	Litre	0.05					
Pressure Loss	ΔP	ΔP <63 at Q3					
Max. Pressure	Bar	16					
Max. Temperature	°C	J&A					

For pricing or any further information, please contact Omni Instruments Ltd.



Max. Permission Error

From Q1 inclusive up to but excluding Q2 is $\pm 5\%$
 From Q2 inclusive up to and including Q4 is $\pm 2\%$

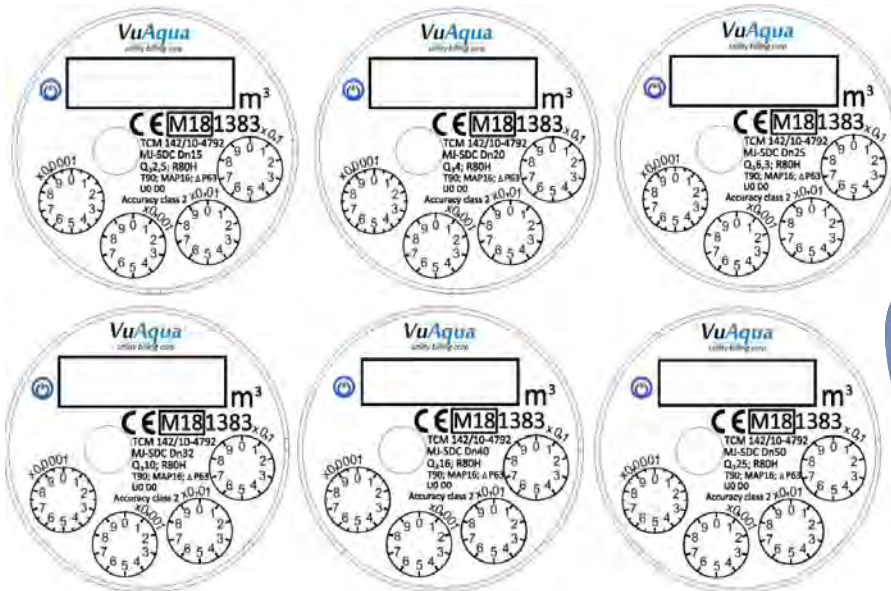


Pulse Output

Pulse output option available on all sizes.

Pulse Output Capacity (litres/pulse):
 10, 100, 100 or 1000

Dial Options



Meet the **VuAqua** family

Distributed by:

Whilst every effort has been made to ensure the accuracy of this specification, we cannot accept responsibility for damage, injury, loss or expense from errors or omissions. In the interest of technical improvement, this specification may be altered without notice.

For pricing or any further information, please contact Omni Instruments Ltd.