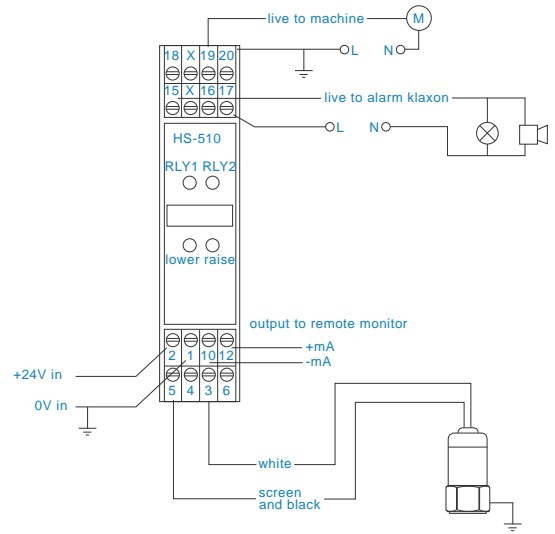


Key Features

- Fully configurable
- Delay start-up
- Dual relays
- Various inputs
- Relay inhibit



Technical Performance

| | |
|-----------------------|--|
| Input | 0-10VDC or 4-20mA from HS-420 or HS-530, HS-535 or HS-556 |
| Power Requirements | 16 to 30 VDC (HS-570 Power Supply Module) |
| Maximum Current | 120 mA |
| Display Range Options | 0-100 mm/sec (programmable) 0-100g (programmable) 0-100 °C |
| Display | 3½ digit (Green LED) |

Mechanical

| | |
|----------------|------------------------------|
| Case Material | Plastic |
| Mounting | DIN Rail TS35 (Top Hat) |
| Dimensions | 114.5 x 99 x 22.5 mm (HxDxW) |
| Connections | Screw Clamp |
| Conductor Size | 0.5 to 4.0 mm |
| Weight | 140 gms (nom) |

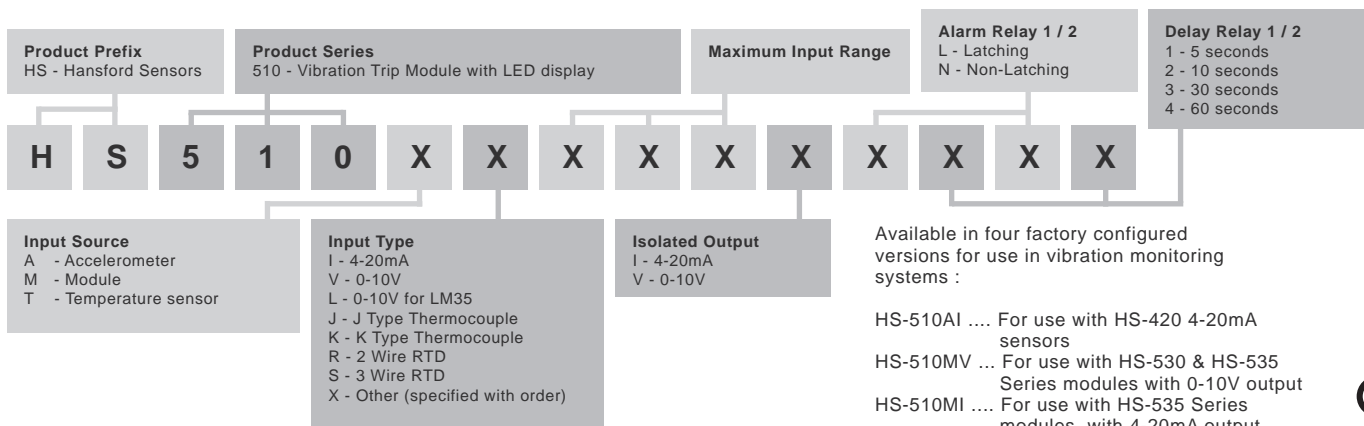
Electrical

| | |
|--------------|--|
| Set Points | Dual relays (front panel programmable) |
| Relay Rating | 3 Amps at 240 Volts AC |
| Relay Status | N/O or vN/C Latching / Non Latching |
| Relay Delays | Up to 1200 secs |
| Outputs | 4-20 mA or 0-10 Volts DC |

Environmental

| | |
|--------------------------------|----------------|
| Operating Temperature Range | 0 to 55 °C |
| Installation Category (IEC664) | II |
| Equipment Class (IEC536) | III |
| EMC | EN61326-1:2013 |

How To Order



For pricing or any further information, please contact Omni Instruments Ltd.