



Robust
Silent
Reliable

LE-v50 & LE-v50 Extreme

The perfect **turbine**
for **trickle charging** batteries



Designed &
manufactured
in the UK

LE-v50 - Features



LE-v50

The perfect **wind turbine** for trickle charging batteries

Features:

Output

12W at 8m/s (17.8mph), 70W max

Silent

Absolutely no noise as the turbine operates

Compact and lightweight

Can be installed in a variety of positions with ease

Cross flow ventilated rotor

Far higher output than similar vertical axis turbines

Robust design

Proven in the severest environment - the Antarctic

Marine quality finish

High quality components and lasting performance

Designed and proven to survive gusts of 80mph

The LE-v50 fills a gap in the market where small amounts of power are required in harsh environments. This turbine is very robust having proved itself in Antarctic winters...

The LE-v50 delivers power outputs of up to 70W in absolute silence. Compared to similar vertical axis turbines, the LE-v50 delivers far higher output thanks to the cross-ventilated 'savourious' vertical axis rotor. This is coupled with the well proven axial flux alternator design that has been successfully used on all our turbines. With only 1 moving part, there is little to go wrong.

The small footprint and lightweight design allows the turbine to be installed in places where space is a premium. The turbine will receive the wind from 360 degrees without the need to yaw into position. The LE-v50 can self-regulate without the need for external charge controllers and the turbine's double bearing arrangement is superior to cantilever designs found in other vertical axis turbines.

LE-v50 - Technical Overview

Rotor diameter - 270mm

Rotor height - 456mm

Rotor type - 3-Blade savonius

Blade material - Aluminium

Rated output - 12W at 8m/s (17.8mph)

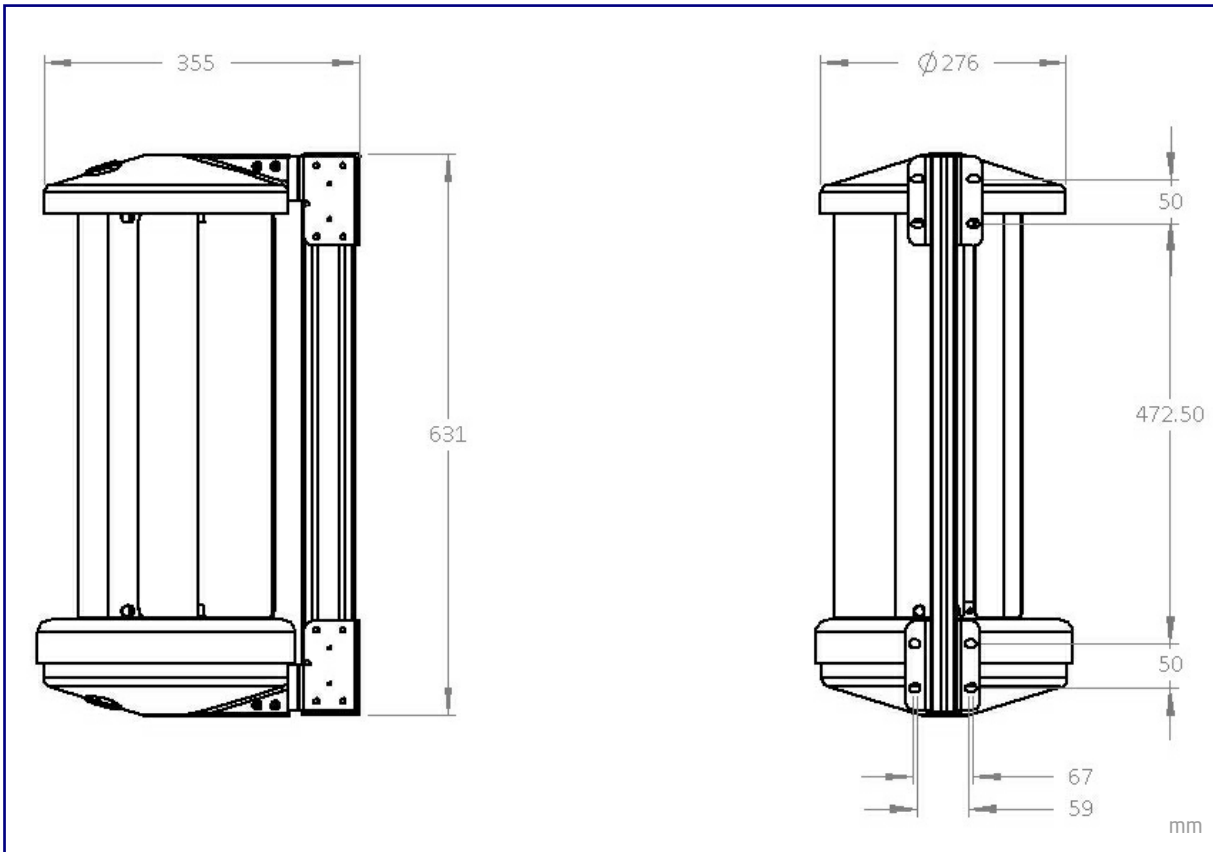
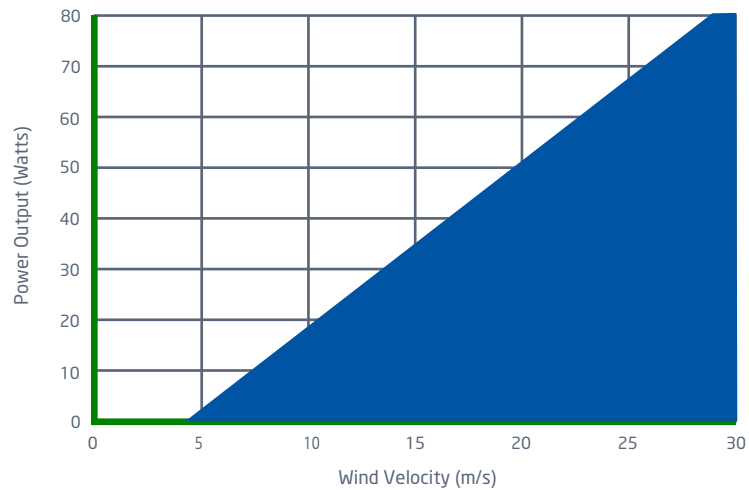
Peak output - 70W

Cut-in speed - 4m/s (9mph)

Weight - 9Kg

DC Output voltage - 12V, 24V, 48V

Warranty - 2 years

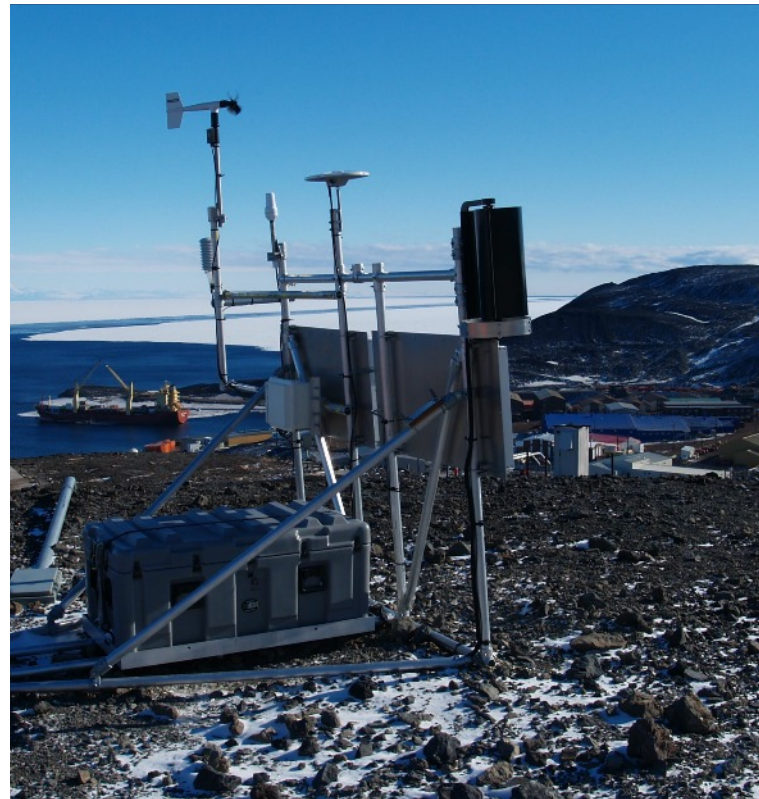


LE-v50 Extreme

Where wind speeds can regularly reach over 27m/s (60mph), the LE-v50 Extreme is the wind turbine of choice. It features enhancements that reduce the stress and fatigue on the blades during prolonged periods of storm force winds. It is also fitted with baffle plates that prevent

damage to the upper cowling. In sub-zero temperatures, the black body absorbs UV light to help prevent ice build up while the low-temperature bearings mean the turbine continues generating power at temperatures down to -40 degC.

LE-v50 - Applications



- Marine
- Telemetry
- Trickle Charging
- LED lighting systems
- Extreme environments
- Off-grid

Our LE-v50 vertical axis turbine will trickle charge your batteries or provide energy for low power electronic devices such as data-logging and telemetry equipment. The LE-v50 Extreme is specially adapted for storm force winds and sub-zero temperatures.

Wind turbine performance is subject to many factors. All output data contained in this document is indicative and actual turbine outputs will depend on the prevailing site and installation conditions.



UK / Europe / Office
Tel: +44 (0)845 9000 601
Fax: +44 (0)845 9000 602
East Kingsway Business Centre
Mid Craigie RD, Dundee
Scotland UK. DD4 7RH
info@omniinstruments.co.uk
www.omniinstruments.co.uk