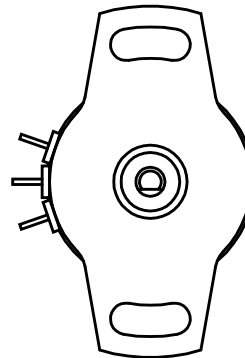


FLANGED BASE  
SYMMETRICAL FLANGE ø48 WITH 2  
OFF 4.5 SLOTS ±10° ON 38.0 PCD.



INCREASING O/P  
CALIBRATED SECTOR

SHAFT FLAT ALIGNED WITH MOUNTING  
SLOT AT MID TRAVEL ±5°.

ELECTRICAL SPECIFICATIONS

OUTPUT  
0.5 TO 4.5V RATIO METRIC  
SUPPLY CURRENT 12mA TYP. 20mA MAX.

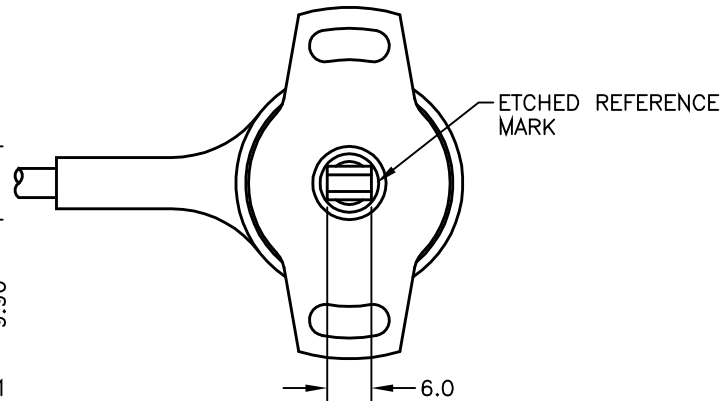
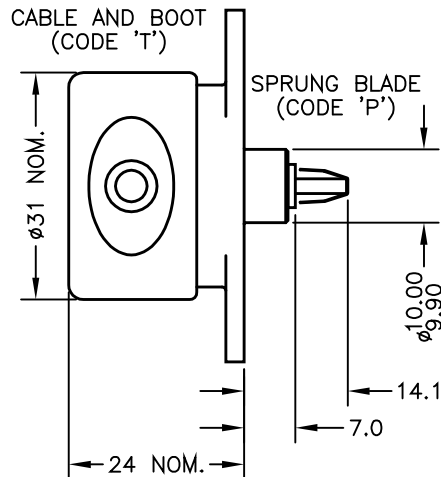
SUPPLY  
5V

CABLE LENGTH ORDERED IN cm. (CODE 'Lxx')  
3-CORE SCREENED: 0.2mm<sup>2</sup>, ø4mm PUR JACKET

CABLE/PIN CONNECTIONS;

3 CORE SOLDER PINS  
RED 1 +Ve  
BLACK 2 0V  
WHITE 3 OUTPUT  
SCREEN BODY


BODY MATERIAL: ALUMINIUM



SPRING CLIP ALIGNMENT WITH MOUNTING  
SLOT AT MID TRAVEL ±5°.  
SPRING CLIP FITS INTO 3.0 SLOT.

H	REDRAWN	PDM
I	BOSS ø10.00 ADDED	PDM

DRAWINGS NOT TO BE CHANGED WITHOUT REFERENCE TO THE CHANGE PROCEDURE.  
CHANGES TO PARTS USED IN INTRINSICALLY SAFE PRODUCT MUST BE APPROVED  
BY THE AUTHORISED PERSON  
THIS IS AN UNCONTROLLED PRINT AND WILL NOT BE UPDATED.

H	19/10/06		CHECKED BY	X	±0.4
I	15/1/09		RDS	X.X	±0.2
				X.XX	±0.1
				DIMS	mm
DESCRIPTION			P501 RIPS MINIATURE ROTARY SENSOR		
SCALE			DRAWING NUMBER P501-11 REV I		
10mm			SHEET 1 OF 1		
