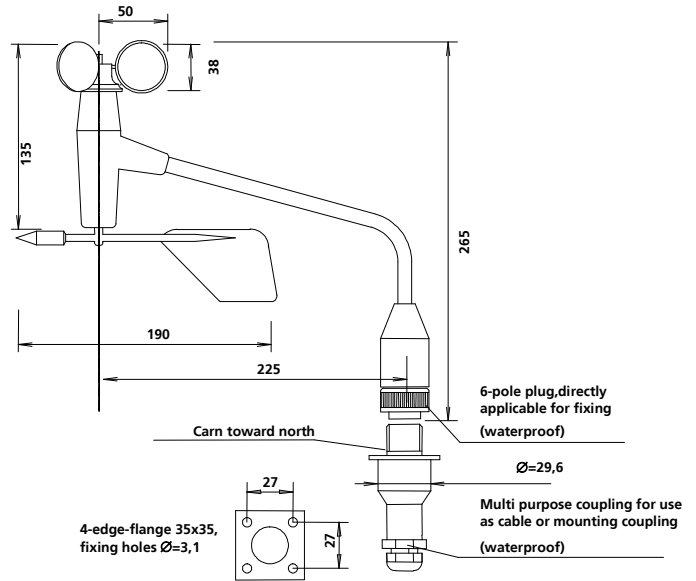


Meteoprobe for wind speed and direction

Type: f.566.2.28
Part-No.: 93.0406

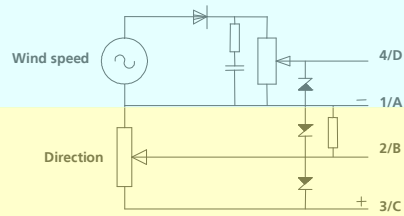


Velocity measurement

cup star anemometer plastic case

Principle:	alternator
Measuring range:	2.5 ... 210 km/h
Output signal:	0 – 2,1 V (1 V = 100 km/h)
Terminal resistance:	100 kΩ
Signal transmission:	VDC
Accuracy:	± 0,3 m/s + ± 2 % rdg
Onset speed:	approx. 0,7 m/s
Max. speed:	60 m/s
Supply (smoothed):	not necessary (alternator)

Connection diagram



Recommended cable:
- shielded
- section: 0,5 mm²

Direction

Windflag (R = 1 kΩ)

Principle:	precision potentiometer
Measuring range:	0 ... 360°
Output signal:	0 – 1 VDC
Signal transmission:	VDC
Linearity:	± 1 %
Onset speed:	approx. 0,5 m/s
Switch over point:	North (N-E-S-W-N)
Dead angle:	3° ± 1°
Supply (smoothed):	1 VDC

General

Over voltage protection:	Transzorber
Material operating temperature:	-30° - +65° C
Dimensions:	see drawing
Weight of turning part:	approx. 15 g
Total weight:	approx. 350 g
Connection:	6-pole screwed Cannon plug
Mounting:	6-pole Cannon socket

Specification subject to change without notice / 0111