

# HS-100S Series Vibration Sensor

Low Profile Industrial Accelerometer - Submersible



## Typical Applications

- Proven use in vibration monitoring for offline applications using commercially available data collectors and online monitoring systems in the fields of Building Services, Civil Engineering, Paper and Pulp, Mining, Metals Manufacture, Utilities, Automotive, Water and Waste Treatment, Pharmaceutical, Aerospace, etc.
- **Protecting...**  
Fans, Motors, Pumps, Compressors, Centrifuges, Conveyers, Air Handlers, Gearboxes, Rolls, Dryers, Presses, Cooling, HVAC, Spindles, Machine Tooling, Process Equipment and many more.

## Technical Performance

Mounted Base Resonance	22 kHz (nominal)
Sensitivity	100 mV/g $\pm 10\%$ Nominal 80 Hz at 22 °C
Frequency Response	2 Hz to 10 kHz $\pm 5\%$ 0.8 Hz to 15 kHz $\pm 3$ dB
Isolation	Base isolated
Measurement Range	$\pm 80$ g
Transverse Sensitivity	Less than 5%

## Electrical

Electrical Noise	0.1 mg max
Current Range	0.5 mA to 8 mA
Bias Voltage	10 - 12 Volts DC
Settling Time	2 seconds
Output Impedance	200 Ohms max.
Case Isolation	$>10^8$ Ohms at 500 Volts

## Environmental

Operating Temperature Range	-55 to 80 °C
Sealing	IP68
Maximum Shock	5000 g
Emissions	EN61000-6-4:2001
Immunity	EN61000-6-2:1999

## Mechanical

Case Material	Stainless Steel
Sensing Element/Construction	PZT/Compression
Mounting Torque	8 Nm
Mounting Bolt provided	M6 x 33 mm long, 1/4- 28 UNF x 33 mm long or M8 x 33 mm long
Weight	170 gms (nom)
Maximum Cable length	1000 metres
Cable	Black Polyurethane - length to be specified with order
Mounting Threads	See 'How to order' table
Submersible Depth	100 metres max (10 bar)

PRODUCT DATA

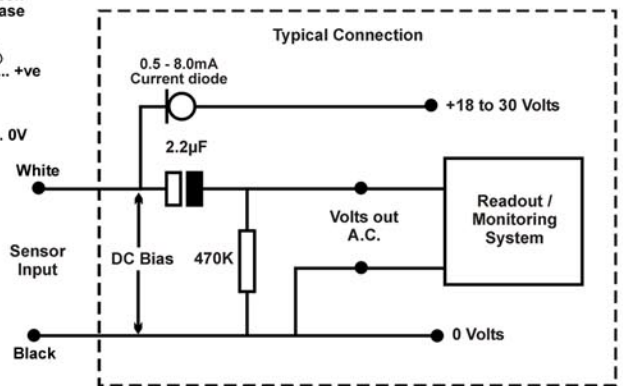
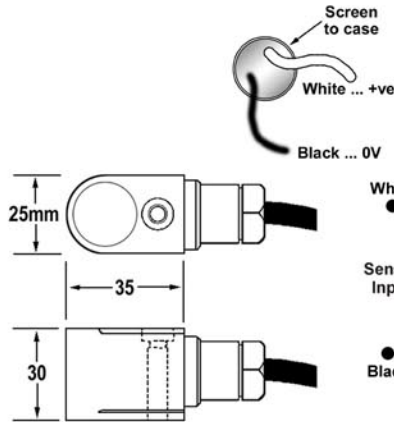
UK / Europe Office  
Tel: +44 (0)8700 434040  
Fax: +44 (0)8700 434045  
[info@omniinstruments.co.uk](mailto:info@omniinstruments.co.uk)  
[www.omniinstruments.co.uk](http://www.omniinstruments.co.uk)

Australia / Asia Pacific Office  
Tel +61 (0)282 442 363  
Fax +61 (0)294 751 278  
[info@omniinstruments.com.au](mailto:info@omniinstruments.com.au)  
[www.omniinstruments.com.au](http://www.omniinstruments.com.au)

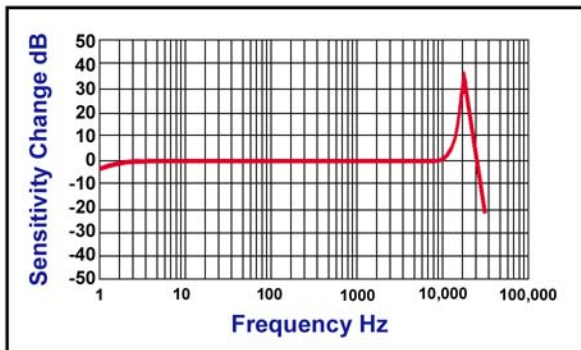
USA / Canada Office  
Tel +1-866-849-3441  
Fax +1-866-628-8055  
[info@omniinstruments.net](mailto:info@omniinstruments.net)  
[www.omniinstruments.net](http://www.omniinstruments.net)

# HS-100S Series Vibration Sensor

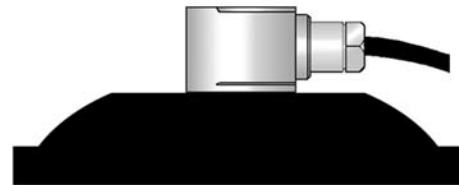
## Dimensions



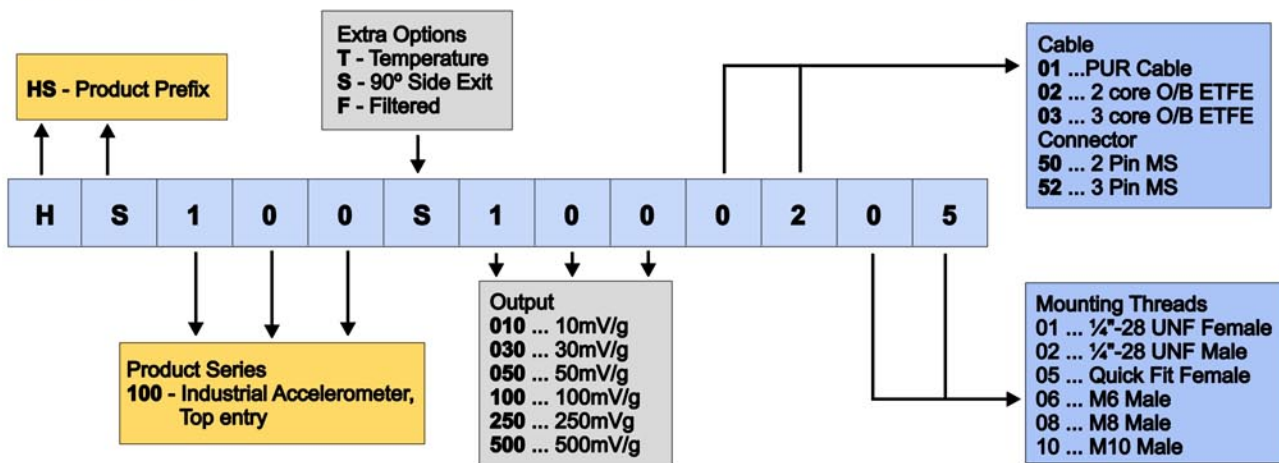
## Frequency Response



**Mounting of sensor to achieve good repeatable readings.** Vibration sensor should be firmly fixed to a flat surface (spot face surface may be needed to be produced and cable anchored to sensor body.)



## How to order



Please contact our Sales Office for information on sensor accessories (mounting studs, etc) and multichannel switch boxes.

TS011 Iss01

We reserve the right to alter the specification of this product without prior notice.

Ref: HS100S-SubC-0107