

# HS-100 Series Vibration Sensor

Top Entry, 100mV/g Industrial Accelerometer



## Typical Applications

- Proven use in vibration monitoring for offline applications using commercially available data collectors and online monitoring systems in the fields of Building Services, Civil Engineering, Paper and Pulp, Mining, Metals Manufacture, Utilities, Automotive, Water and Waste Treatment, Pharmaceutical, Aerospace, etc.
- **Protecting...**  
Fans, Motors, Pumps, Compressors, Centrifuges, Conveyers, Air Handlers, Gearboxes, Rolls, Dryers, Presses, Cooling, HVAC, Spindles, Machine Tooling, Process Equipment and many more.

## Technical Performance

Mounted Base Resonance	22 kHz (nominal)
Sensitivity	100 mV/g $\pm 10\%$ Nominal 80 Hz at 22 °C
Frequency Response	2 Hz to 10 kHz $\pm 5\%$ 0.8 Hz to 15 kHz $\pm 3$ dB
Isolation	Base isolated
Measurement Range	$\pm 80$ g
Transverse Sensitivity	Less than 5%

## Electrical

Electrical Noise	0.1 mg max
Current Range	0.5 mA to 8 mA
Bias Voltage	10 - 12 Volts DC
Settling Time	2 seconds
Output Impedance	200 Ohms max.
Case Isolation	$>10^8$ Ohms at 500 Volts

## Environmental

Operating Temperature Range	-55 to 140 °C
Sealing	IP67
Maximum Shock	5000 g
Emissions	EN61000-6-4:2001
Immunity	EN61000-6-2:1999

## Mechanical

Case Material	Stainless Steel
Sensing Element/Construction	PZT/Compression
Mounting Torque	8 Nm
Weight	110 gms (nom)
Maximum Cable length	1000 metres
Mating Connector	HS -AA004
Mounting Threads	See 'How to order' table
Options	Integral cable, filters, temperature output, various connector assemblies, other sensitivities

PRODUCT DATA

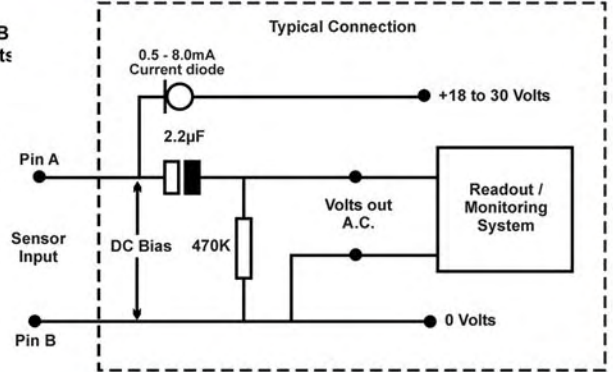
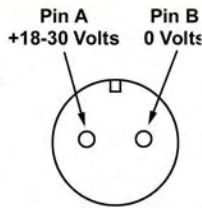
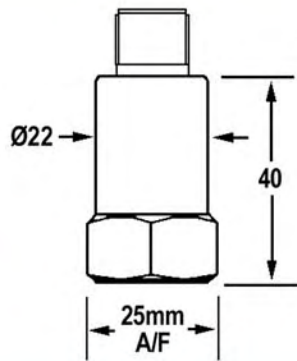
UK / Europe Office  
Tel: +44 (0)8700 434040  
Fax: +44 (0)8700 434045  
[info@omniinstruments.co.uk](mailto:info@omniinstruments.co.uk)  
[www.omniinstruments.co.uk](http://www.omniinstruments.co.uk)

Australia / Asia Pacific Office  
Tel +61 (0)282 442 363  
Fax +61 (0)294 751 278  
[info@omniinstruments.com.au](mailto:info@omniinstruments.com.au)  
[www.omniinstruments.com.au](http://www.omniinstruments.com.au)

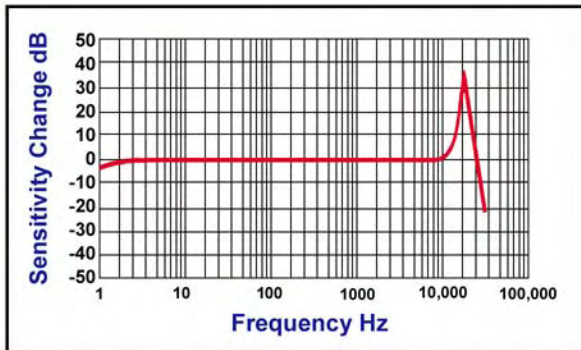
USA / Canada Office  
Tel +1-866-849-3441  
Fax +1-866-628-8055  
[info@omniinstruments.net](mailto:info@omniinstruments.net)  
[www.omniinstruments.net](http://www.omniinstruments.net)

# HS-100 Series Vibration Sensor

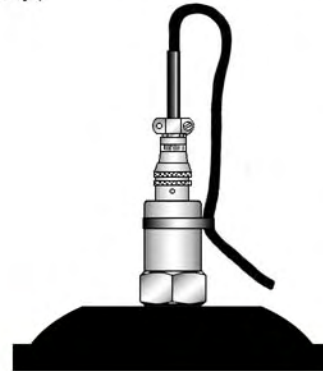
## Dimensions



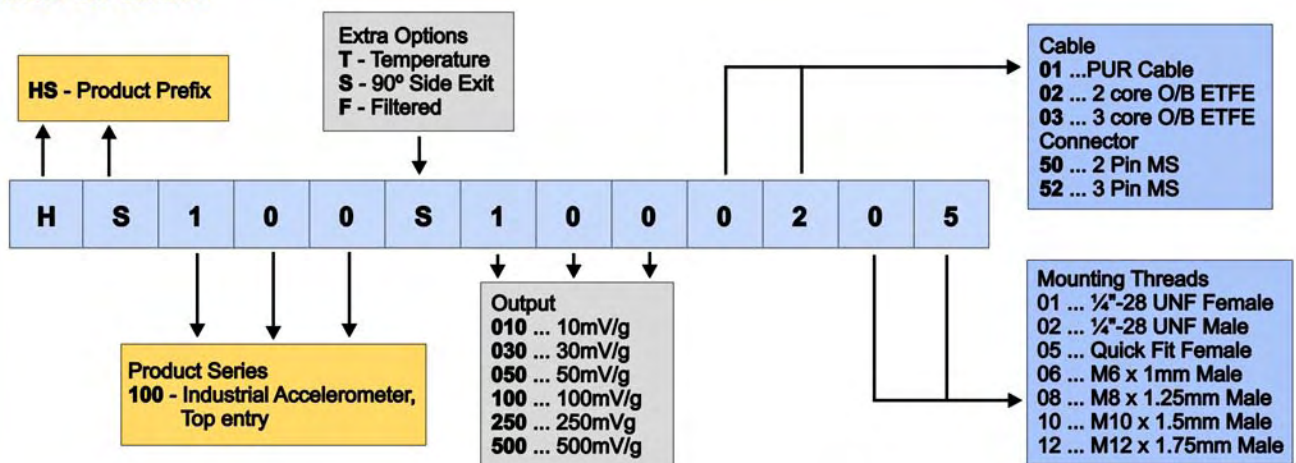
## Frequency Response



Mounting of sensor to achieve good repeatable readings. Vibration sensor should be firmly fixed to a flat surface (spot face surface may be needed to be produced and cable anchored to sensor body.)



## How to order



Please contact our Sales Office for information on sensor accessories (mounting studs, etc) and multichannel switch boxes.

