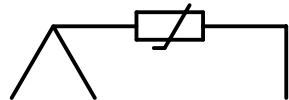
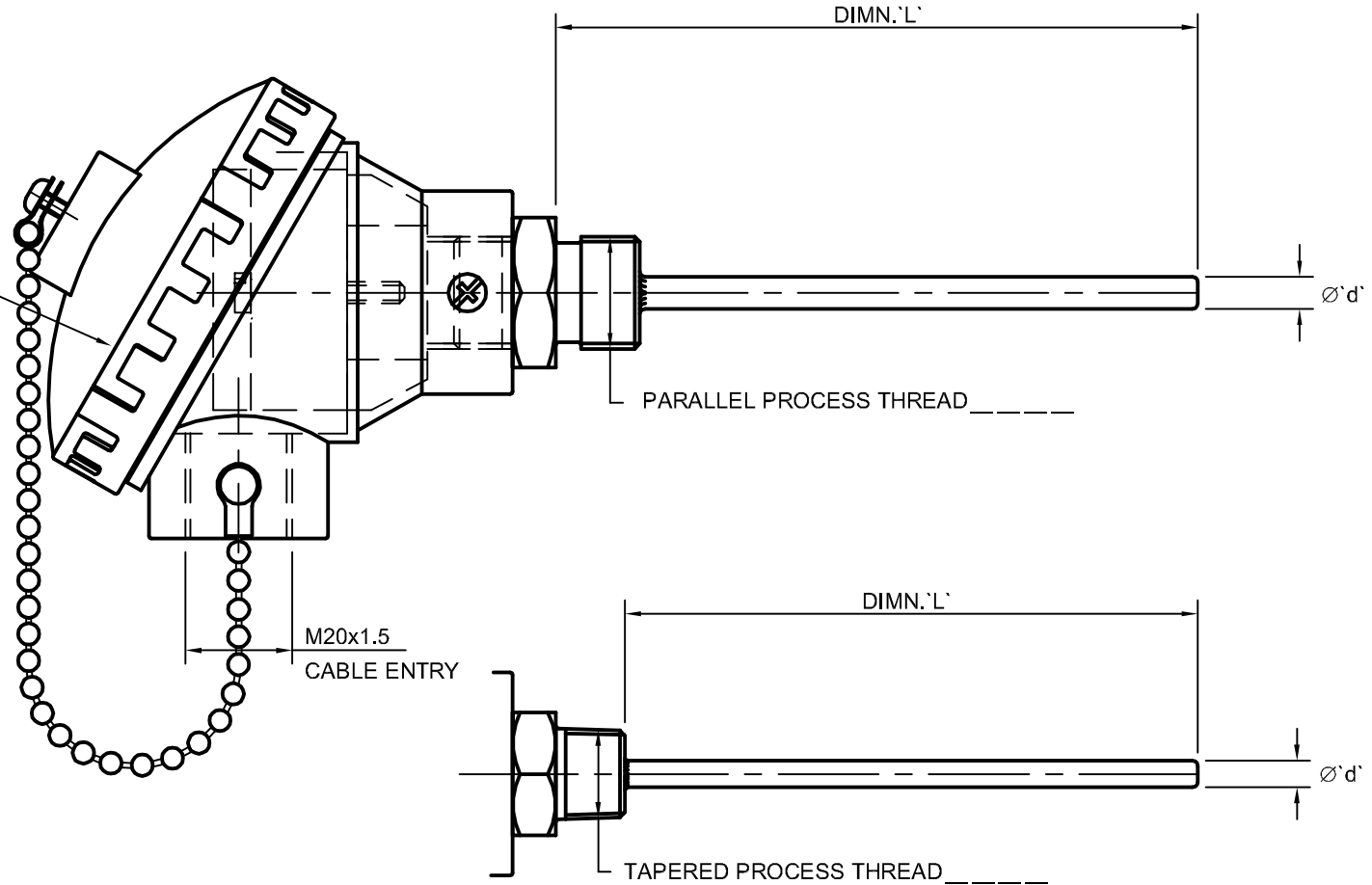
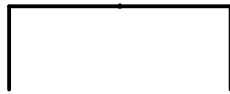


CONNECTION HEAD TYPE:  
FITTED WITH TEMPERATURE  
TRANSMITTER OR CERAMIC  
TERMINAL BLOCK



3 WIRE PT100 CLASS B  
TO BS EN 60751



THERMOCOUPLE TYPE \_\_\_  
ISOLATED OR GROUND

MATERIAL				FINISH		ORIGINAL SCALE	
ST.STL.316				NATURAL		1 : 1	
				TITLE			
				DIRECT IMMERSION TEMPERATURE SENSOR			
DRN	DATE	CH'KD	APP'D	DIMENSIONS IN MILLIMETRES TOLERANCES UNLESS OTHERWISE STATED λ . . . . ±0.4 X.X . . . ±0.2 X.XX . . ±0.05 THE ABOVE DO NOT APPLY TO DRILLED HOLES		TOLERANCES ON DRILLED HOLES +1% OR +0.05 ON NOMINAL SIZE WHICHEVER IS THE GREATER. MACHINED DIAMETERS TO BE CONCENTRIC WITHIN 0.1T.C.R. HOLES DISPOSED ON A PITCH CIRCLE TO BE WITHIN 0.08 OF TRUE POSITION.	
D.C.	2-3-06						
ISSUE	A						
DATE							
ECR No				THIRD ANGLE PROJECTION		DRAWING No	
AUTOCAD FILE: STD-624						STD-624	