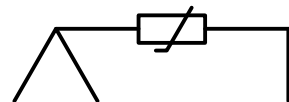
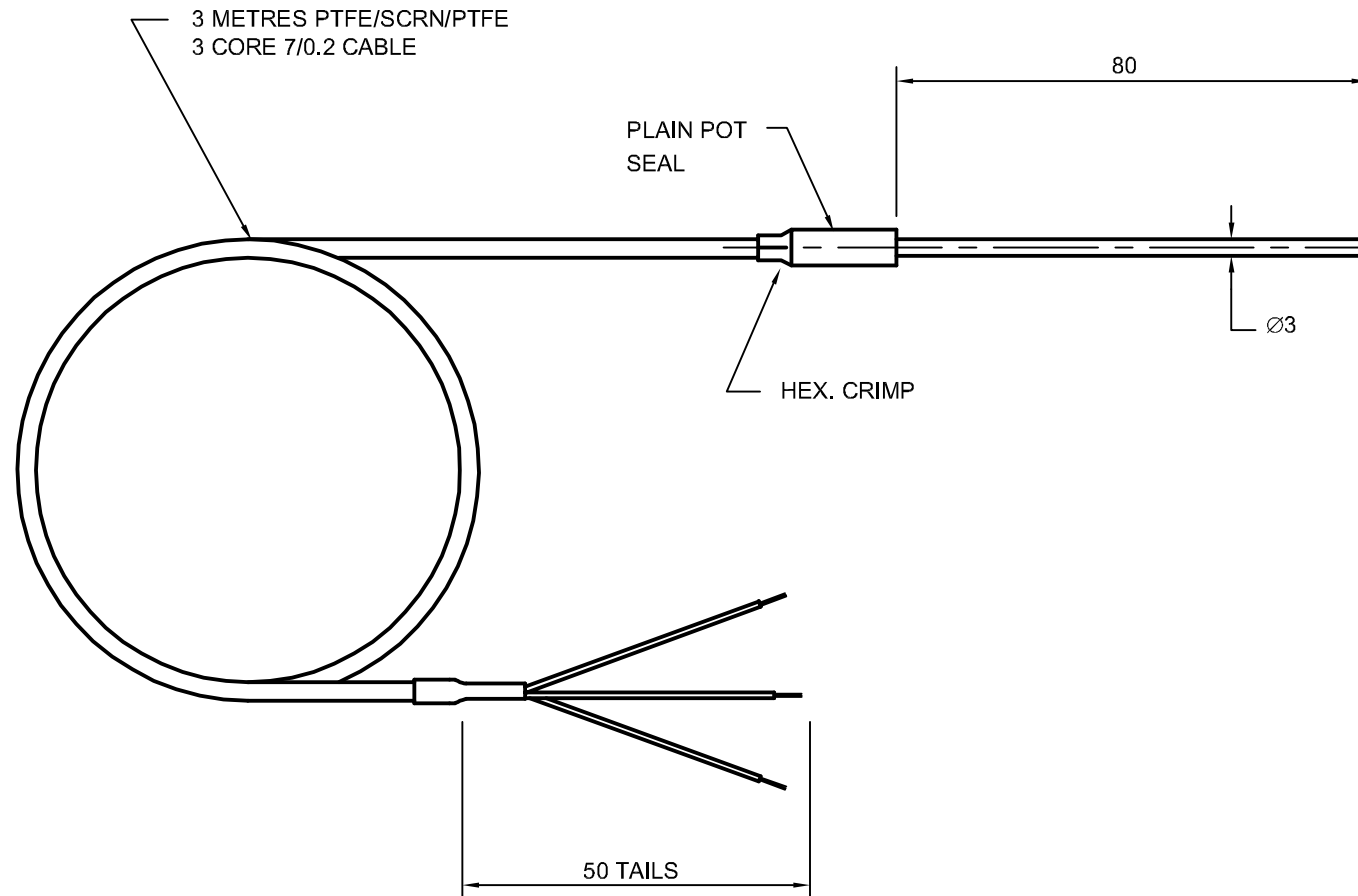


USED ON



3 WIRE PT100 CLASS A  
TO BS EN 60751

MATERIAL				FINISH		ORIGINAL SCALE	
ST.STL.316				NATURAL		1 : 1	
				TITLE			
				PRT PROBE ASS'Y			
DRN	DATE	CH'KD	APP'D	DIMENSIONS IN MILLIMETRES TOLERANCES UNLESS OTHERWISE STATED X. . . . ±0.4 X.X. . . ±0.2 X.XX. . . ±0.05 THE ABOVE DO NOT APPLY TO DRILLED HOLES			TOLERANCES ON DRILLED HOLES +1% OR +0.05 ON NOMINAL SIZE WHICHEVER IS THE GREATER. MACHINED DIAMETERS TO BE CONCENTRIC WITHIN 0.1T.C.R. HOLES DISPOSED ON A PITCH CIRCLE TO BE WITHIN 0.08 OF TRUE POSITION.
D.C.	18-10-07						
ISSUE	A						
DATE							
ECR No				THIRD ANGLE		DRAWING No	
AUTOCAD FILE: H16242A				PROJECTION		HBS/1/6242	

THIS DOCUMENT IS PRIVATE AND CONFIDENTIAL AND IS SUPPLIED ON THE EXPRESS CONDITION THAT IT IS NOT USED FOR ANY OTHER PURPOSE OR COPIED OR COMMUNICATED TO ANY OTHER PERSON WITHOUT THE WRITTEN PERMISSION

D/O ISSUE: 18/10/07