

# Industrial, Mineral Insulated Thermocouples, PTFE lead

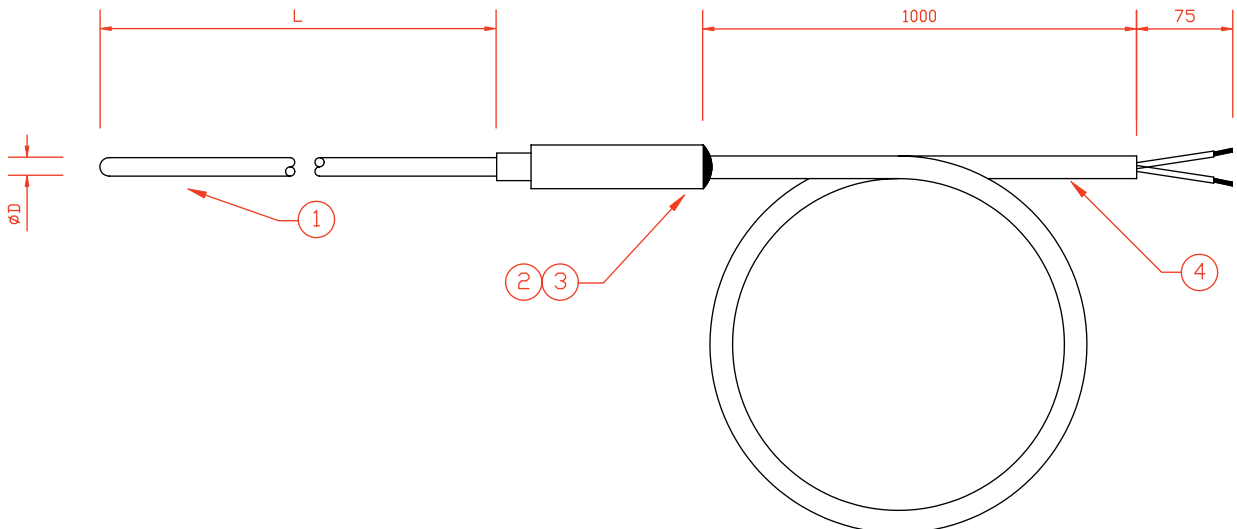
Type K, mineral insulated, flexible, stainless steel sheathed thermocouple probe with PTFE insulated extension lead

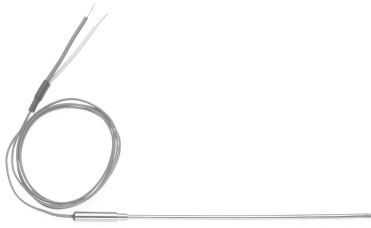
## Specifications

Sensor Type	Thermocouple type K to IEC 60584
Probe Material	310 stainless steel with welded tip. Mineral insulated conductors with insulated junction
Tip Temperature Rating	-40°C to 1100°C
Probe termination	Plain pot seal
Pot temperature Rating	180°C
Termination	Flying lead & tails; PTFE insulated, 7/0.2mm, 1 metre

## Dimensions and Codes

Diameter (D)	Length (L)	Omni Ref.
3.0mm	150mm	KTCMI150-3MM-1M
3.0mm	250mm	KTCMI250-3MM-1M
3.0mm	500mm	KTCMI500-3MM-1M





## Industrial, Mineral Insulated Thermocouples, PTFE lead

Type K, mineral insulated, flexible, stainless steel sheathed thermocouple probe with PTFE insulated extension lead

### Specifications

Sensor Type	Thermocouple type K to IEC 60584
Probe Material	310 stainless steel with welded tip. Mineral insulated conductors with insulated junction
Tip Temperature Rating	-40°C to 1100°C
Probe termination	Plain pot seal
Pot temperature Rating	180°C
Termination	Flying lead & tails; PTFE insulated, 7/0.2mm, 1 metre

### Dimensions and Codes

Diameter (D)	Length (L)	Omni Ref.
3.0mm	150mm	KTCMI150-3MM-1M
3.0mm	250mm	KTCMI250-3MM-1M
3.0mm	500mm	KTCMI500-3MM-1M