



LUXUS High Definition Camera



The LUXUS High Definition Camera is designed for use with ROV systems and is ideal for use in combination with the LUXUS Power LED.

This high definition camera is equipped with a zoom function and can be adjusted for focus, white balance, iris and a number of other settings. Focus and white balance also have auto settings.

The camera can be supplied with various output types and can be controlled with the supplied software or as hard wired.

The LUXUS High Definition Camera consumes just 5 W and can handle a wide range of DC power inputs from 9 to 36 VDC. The camera is delivered with SubConn® or alternative customer specified connectors.

The camera housing is made from sandblasted titanium and has a depth rating of 4000 metres.

Features and benefits

- High performance
- Full HD image quality
- Zoom function
- Numerous adjustable settings
- 4000 m depth rating

Applications

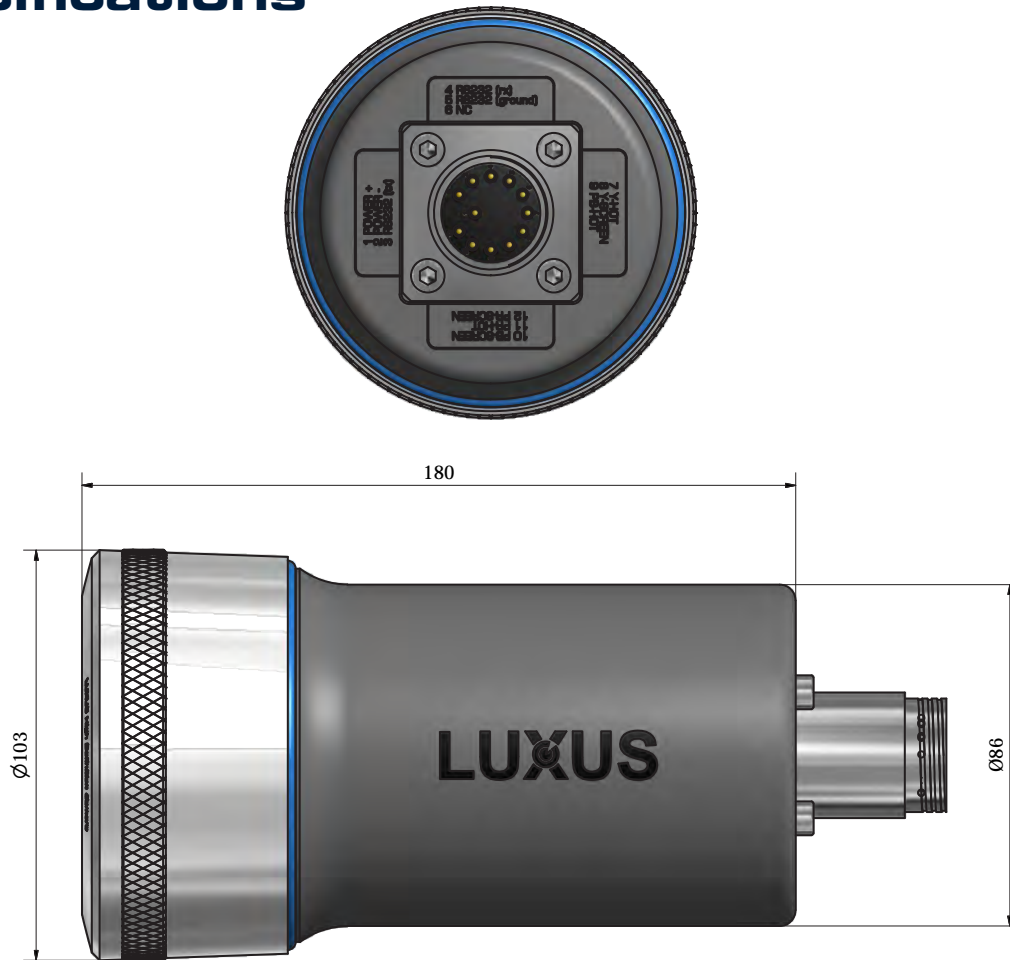
- General underwater inspection
- ROV systems
- Trencher systems
- Crawler systems
- Tow and drop camera systems
- Benthic sled systems
- Underwater observatory systems
- Diving applications
- Winch and deck monitoring

Options

- Alternative connectors
- Custom wiring
- LUXUS universal mounting bracket
- 3 component output

For pricing or any further information, please contact Omni Instruments Ltd.

Specifications



Electrical

Power supply:	9 - 36 VDC
Power consumption:	5 W
Output:	HD-SDI or 3 Component (Y/Pb/Pr)
Signal to noise ratio:	>52 dB
Control options:	RS232 - others on request

Mechanical

Material:	Titanium
Standard connector:	SubConn® Coax Connector 75CXBH6M
Other connectors:	On request
Dimensions:	See drawing (mm)
Weight:	2500 g in air 1323 g in water
Window/Lens:	Borosilicate glass

Optical

Angle of view air (horizontal):	
Lens 1:	5.4° tele - 50.0° wide
Lens 2:	8.0° tele - 82.0° wide
Angle of view water (horizontal):	
Lens 1:	4.0° tele - 37.5° wide
Lens 2:	6.0° tele - 61.0° wide
Sensitivity:	1 lux
Recommended illum.:	>100 lux
Zoom (120x):	10 x optical, 12 x digital
Iris:	Manual or automatic
Focus:	Manual or automatic
White balance:	Manual or automatic
TV Lines:	HD output (2 Mpix)

Environmental

Depth rating:	4000 m
Test pressure:	600 bar
Test pressure FAT:	100 bar
Operating temperature:	-10 to +50 °C
Storage temperature:	-30 to +70 °C

For pricing or any further information, please contact Omni Instruments Ltd.