

**INTRODUCTION**

The **USB-i485** module is a cost-effective way to convert RS485 or RS422 industrial buses to a USB interface. When connected to a PC USB port the **USB-i485** module is automatically detected and is installed as a native COM port which is compatible with any existing serial communication application.

Multiple modules can be installed when using USB hubs thus allowing a hassle-free configuration of a multi serial system without any IRQ or DMA configuration.

1500 Vdc isolation between the USB port and RS485/RS422 protects the PC from spikes or possible misconnections in the communication bus.



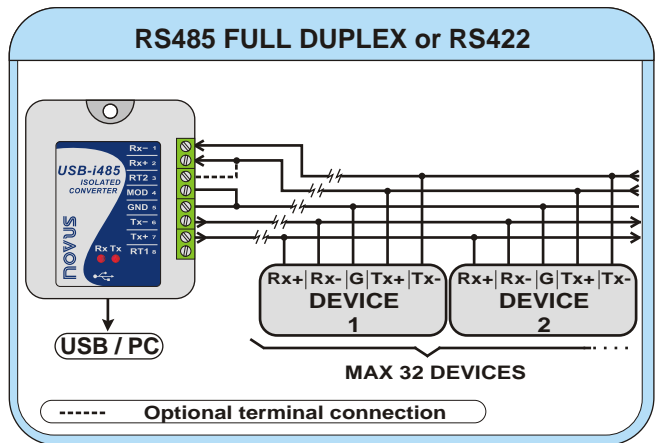
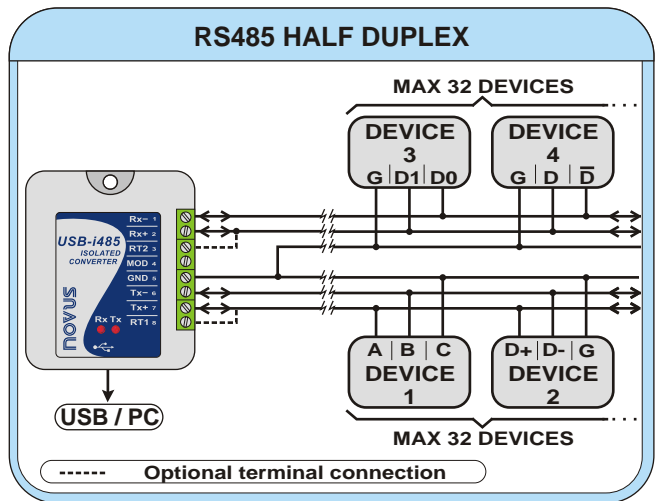
**FEATURES AND SPECIFICATIONS**

The **USB-i485** converter can be configured for four-wire (Full Duplex) RS422 and RS485 or two-wire (Half Duplex) networks. When operating in two-wire RS485 the data transfer control is automatically done by the converter.

Two independent and isolated RS485 networks can be supported by one **USB-i485** module thus duplicating the possible number of remote devices.

- Computer interface: USB V1.1 Plug and Play.
- Operational system virtual serial port driver.
- Supports Windows 98/ME/XP/2000/CE, MAC & Linux 2.4.20 or superior.
- Field Interfaces: RS485 Half Duplex (dual buses), RS485 Full Duplex or RS422.
- Jumper selected RS485 / RS422.
- Automatic flow control for RS485 Half Duplex.
- 120 Ohms internal resistors termination enabled by jumpers.
- Transmission rate: from 300 bps to 1Mbps.
- Maximum RS485/RS422 cable length : 1200 m
- Maximum number of devices in the RS485 network:
  - Half Duplex: 2 x 32 devices
  - Full Duplex: 32 devices
- Data transmission and reception LED indicators
- Power: from the USB port.
- Consumption: <100 mA.
- Isolation: 1500 Vdc from USB interface and the RS485/RS422 interface.
- RS485/422 bus protection: ±60 Vdc, 15 kV ESD.
- USB connection: Mini-B connector.
- A 1.5 m cable with plugs mini-B and A is provided with the module.
- RS485/422 connector: screw terminal type accepting 1.5 mm<sup>2</sup> (16 AWG) wires.
- ABS enclosure: 70 x 60 x 18 mm
- Operating environment: 0 to 70°C, 10 to 90% relative humidity, non-condensing.

**CONNECTIONS**



**DIMENSIONS**

