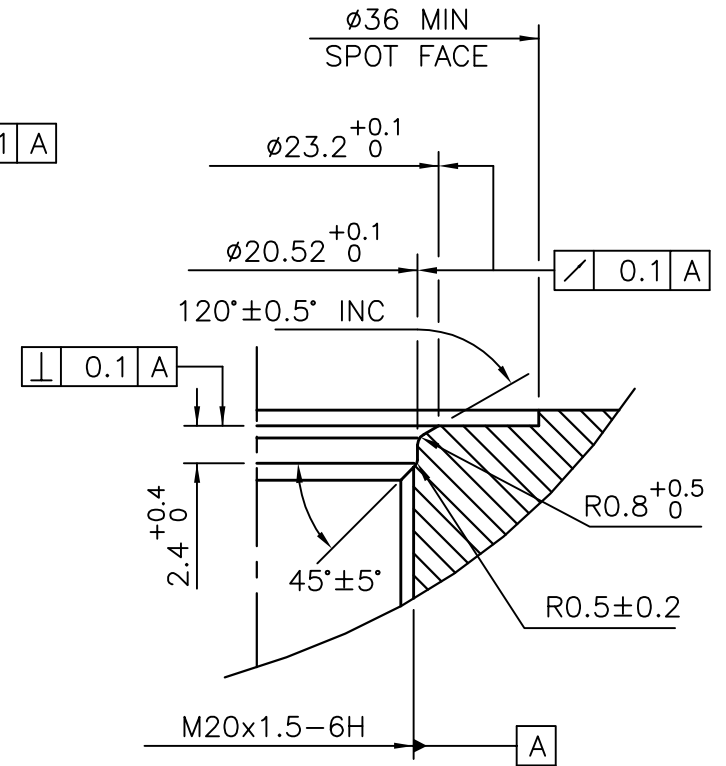
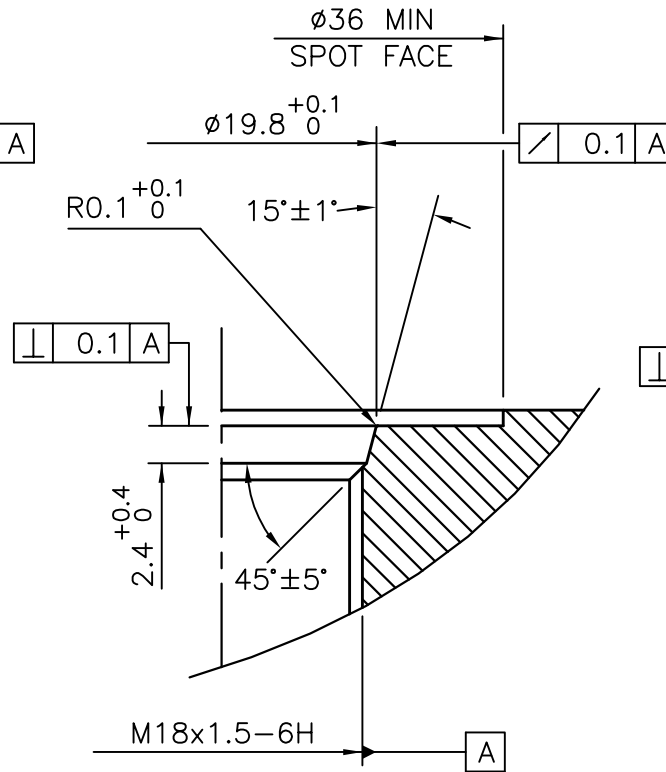
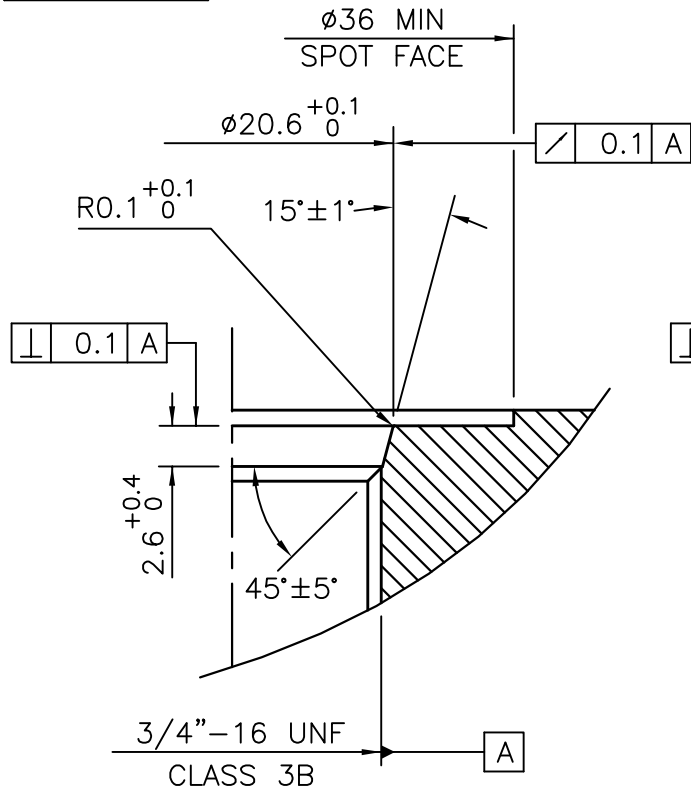


CHECKED  
AT REV. A

RDS

DRAWING NOT TO BE CHANGED WITHOUT REFERENCE TO THE CHANGE PROCEDURE.  
CHANGES TO PARTS USED IN INTRINSICALLY SAFE PRODUCT MUST BE APPROVED  
BY THE AUTHORISED PERSON  
**THIS IS AN UNCONTROLLED PRINT AND WILL NOT BE UPDATED**



A	FIRST ISSUE	COH/DS
---	-------------	--------

A 29/01/95		MATERIAL SEE NOTE 1	X $\pm 0.4$ X.X $\pm 0.2$ X.XX $\pm 0.1$ ALL DIMS mm
DESCRIPTION INSTALLATION DETAILS MOUNTING THREADS & SEALS			
SCALE 5mm 	DRAWING NUMBER P100-15 REV <span style="border: 1px solid black; padding: 2px;">A</span>		SHEET <span style="border: 1px solid black; padding: 2px;">1</span> OF <span style="border: 1px solid black; padding: 2px;">1</span>