

Accelerometer Mounting Adapter

Technical Data*

Features and Benefits

Precision Machined

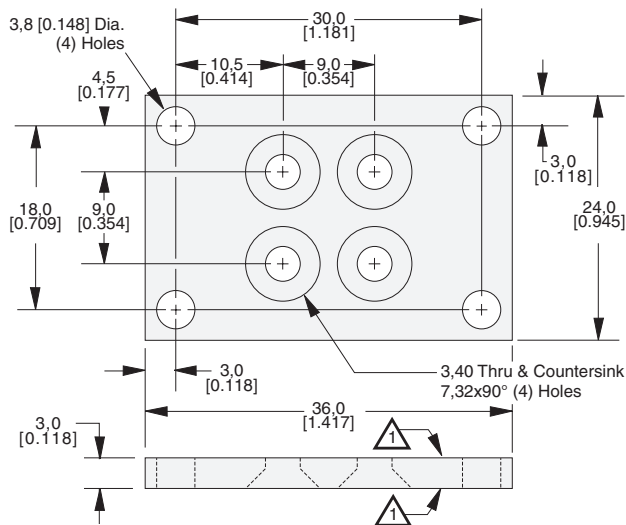
Faces of mounting plate are machined parallel to minimize errors.

Low Mass Aluminum

The 34170B is fabricated from 6061 T6 aluminum to reduce mass while providing optimal rigidity.

Convenience

The 34170B mounting adapter simplifies accelerometer mounting when the system to be measured can be accessed from only one side. When access from both sides is possible, the 34170B can be used as an alternate to the accelerometer's integral mount.



Dimensions in mm [inches] Faces flat and parallel within $\pm 0,025$ [0.001"]

Simplify Accelerometer Mounting

The Summit Instruments 34170B mounting adapter makes it easy to mount a Summit Instruments accelerometer when it is not convenient to use the accelerometer's integral mount. Two $3,0 \times 6$ mm socket flat head screws are included to attach the accelerometer to the adapter. The adapter with accelerometer can then be mounted to the object under test using M3 or #6 screws.

To prevent the screws from loosening due to vibrations, a locking compound is recommended for all threads.