
Wind Speed & Direction Sensor

Meteo probe for wind speed and direction

Type: **f.566.2.28**
Part no: **93.0406**

Velocity measurement

Probe: cup star anemometer with plastic case
Principle: alternator with two precision ball bearings
Measuring range: 2.5 – 210 km/h
Output signal: 0 – 2.1 V VDC (1 V = 100 km/h)
Terminal resistance: 100 k Ω
Signal transmission: VDC
Accuracy: +/- 0,3 m/s + +/- 2 % rdg by 20° C
Onset speed: approx. 0,7 m/s
Max. speed: 60 m/s
Supply, (smoothed): not necessary (alternator)

Direction

Probe: windflag
Principle: precision potentiometer R = 1 k Ω
Measuring range: 0 – 360°
Output signal: 0 – 1 VDC
Signal transmission: VDC
Linearity: +/- 0.5 %
Onset speed: approx. 0,5 m/s
Switch over point: North (N-E-S-W-N)
Dead angle: 3° +/- 1°
Supply, (smoothed): 1 VDC

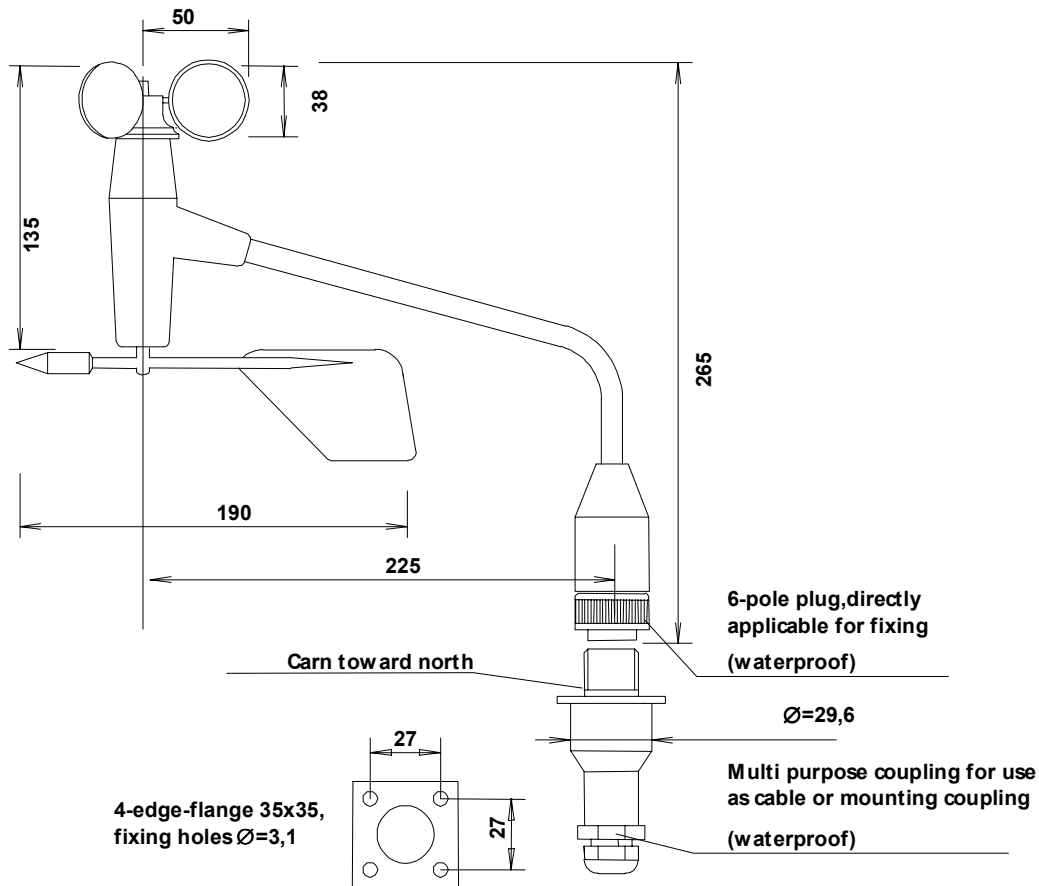
General

Over voltage protection: Transzorber
Material operating temperature: -30° - +65° C
Dimensions: see drawing
Weight of turning part: approx. 15 g
Total weight: approx. 250 g
Connection: 6-pole screwed Cannon plug
Mounting: 6-pole Cannon socket

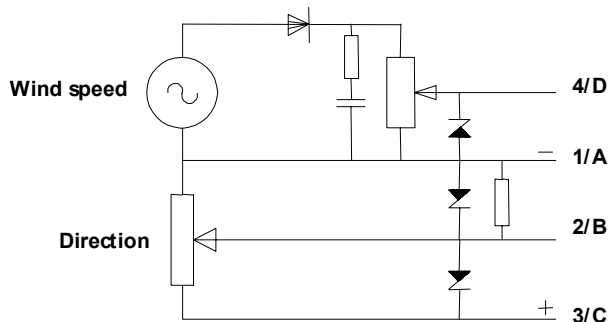
Wind Speed & Direction Sensor

Typ: f.566.2.28

93.0406



Connection diagram



Recommended cable:

- shielded
- section: 0,5 mm²