

Data sheet

Meteo probe for wind speed and direction

Type: **f.566.24.28**
Part no: **93.0554**

Velocity measurement

Probe: cup star anemometer with plastic case
Principle: alternator with two precision ball bearings
Measuring range: 0,7 – 40 m/s
Output signal: 4 – 20 mA
Signal transmission: 2-wire system
Accuracy: +/- 0,3 m/s + +/- 2 % rdg
Onset speed: approx. 0,7 m/s
Max. speed: 60 m/s
Supply, (smoothed): min.: 9 VDC + (0.02 x Load)
max. 26 VDC

Direction

Probe: windflag
Principle: precision potentiometer
Measuring range: 0 – 360°
Output signal: 4 – 20 mA
Signal transmission: 2-wire system
Linearity: +/- 1 %
Onset speed: approx. 0,5 m/s
Switch over point: North (N-E-S-W-N)
Dead angle: 3° +/- 1°
Supply, (smoothed): min.: 9 VDC + (0.02 x Load)
max. 26 VDC

General

Over voltage protection: Transzorber
Material operating temperature: -30° - +65° C
Dimensions: see drawing
Weight of turning part: approx. 15 g
Total weight: approx. 250 g
Connection: 6-pole screwed Cannon plug
Mounting: 6-pole Cannon socket

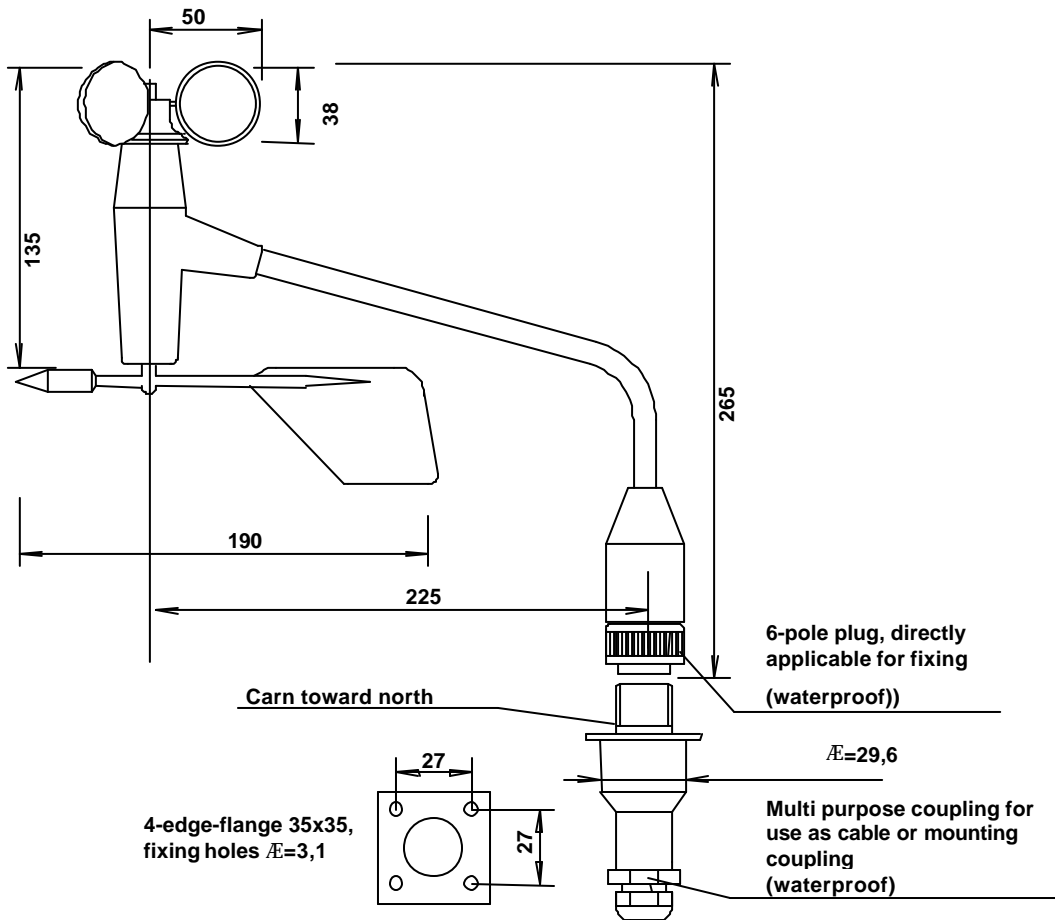
Specification subject to change without notice

9901/TS

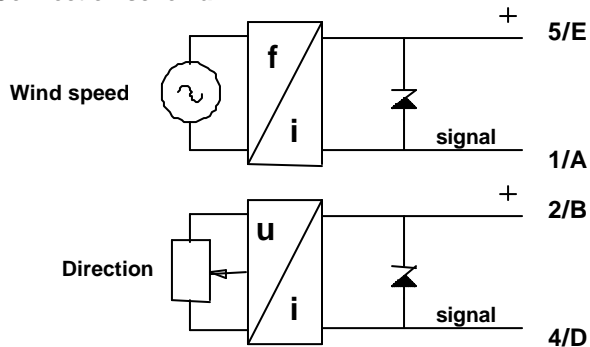
Meteoprobe for wind speed and direction

Type: f.566.24.28

93.0554



Connection schema



Recommended cable:

- shielded
- section: $0,5 \text{ mm}^2$

Specification subject to change without notice

9811